

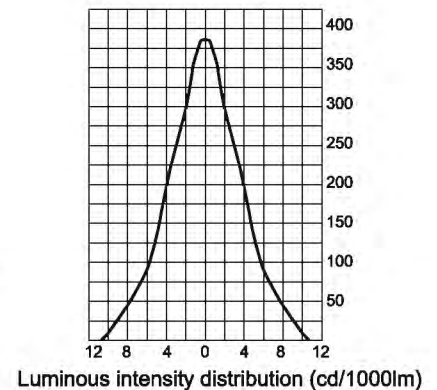
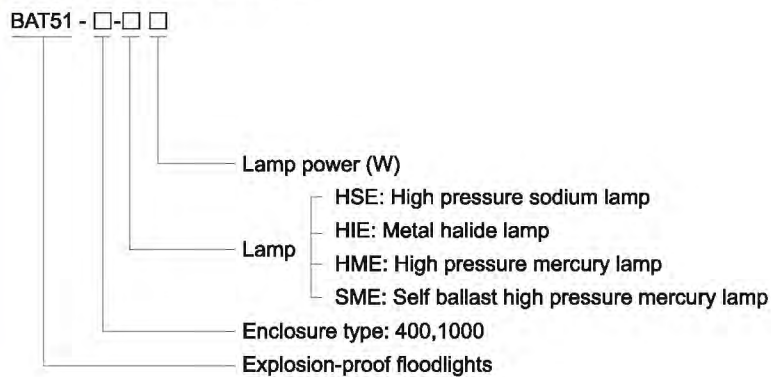


Floodlights

BAT51 Series Explosion-proof Floodlights

- Explosion protection to
 - CENELEC
 - IEC
 - NEC
- Can be used in
 - Zone 1 and Zone 2
 - Zone 21 and Zone 22
- Available lamp of E40 lamp holder:
 - High pressure sodium lamp (HSE)
 - Metal halide lamp (HIE)
 - High pressure mercury lamp (HME)
 - Self ballast high pressure mercury lamp (SME)
- Two enclosure types: 400, 1000.
- Enclosure in copper-free aluminium, powder coated surface, yellow (RAL 1021).
- Installed on cradle to allow for all adjustments; adjustable in 60° or 90° .
- Toughened glass cover resistant to temperature changes.

Catalogue number logic



Selection table

| Type/Ordering code | Available lamp power (W) | | | | Weight (kg) |
|--------------------|--------------------------|---------------|---------------|----------|-------------|
| | HIE | HME | HSE | SME | |
| BAT51-400 | 175, 250, 400 | 175, 250, 400 | 150, 250, 400 | 250, 500 | 14.50 |
| BAT51-1000 | 1000 | - | 1000 | - | 58.50 |

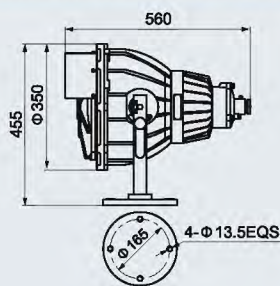
Note

- 400 type light fittings are supplied without lamp and ballast. PHILIPS lamps are recommended.
- 1000 type light fittings are supplied with lamp and ballast.
- HPI European standard ballast is supplied with HIE light fitting. HPI European standard lamps are recommended.

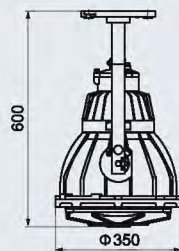
Zones 1&2; 21&22

| Technical data | | |
|---------------------------------------|--|--|
| Explosion-proof floodlights | BAT51-400-□□ | BAT51-1000-□□ |
| Explosion protection | Ⓔ II 2 G Ex d IIB T4(T3) Gb Ⓔ II 2 D Ex t IIIB T130°C(T190°C) Db IP65 | Ⓔ II 2 G Ex d IIB T2 Gb Ⓔ II 2 D Ex t IIIB T290°C Db IP65 |
| Certificates | PCEC (China); LCIE 13 ATEX _____ | |
| Conformity to standards | EN 60079-0: 2009, EN 60079-1: 2007, EN 60079-31: 2009 IEC 60079-0: 2007, IEC 60079-1: 2007, IEC 60079-31: 2008 | |
| Material | Copper-free aluminium, powder coated surface, yellow (RAL1021) Powder coated carbon steel, white Toughened glass, stands 4J impact Choke ballast, rapid starting, stable performance General trigger Power factor ≥ 0.90 (compensated) High-purity aluminium Stainless steel | |
| Lamp | E40 | |
| Lamp holder | Available Ⓔ II 2 G Ex d IIB T4 Gb Ⓔ II 2 G Ex d IIB T3 Gb Ⓔ II 2 G Ex d IIB T2 Gb | |
| Lamp power (W) | lamp Ⓔ II 2 D Ex t IIIB T130°C Db IP65 Ⓔ II 2 D Ex t IIIB T190°C Db IP65 Ⓔ II 2 D Ex t IIIB T290°C Db IP65 | |
| | HIE | 175W, 250W 400W 1000W |
| | HSE | 150W, 250W 400W 1000W |
| | HME | 175W, 250W 400W — |
| | SME | 250W 500W — |
| Rated voltage | 400W or below: 220~240V AC 50Hz (60Hz is optional) HIE/HSE 1000W: 230V AC 50Hz (60Hz is optional) | |
| Earthing protection | M5 (internal & external earth bolts) | |
| Degree of protection | IP65 | |
| Ambient temperature | -20°C~+55°C | |
| Terminal | 3 x 1.5~2.5mm ² (L+N+PE) | |
| Cable entries | BAT51-400 type: G3/4"; BAT51-1000 type: M25 x 1.5 | |
| Cable gland | BAT51-400 type: with seal gasket and gland nut BAT51-1000 type: the cable between floodlight and ballast through BNG-M25 x 1.5(M) M25 x 1.5 (M) explosion-proof flexible conduit (length: 1200 mm); One explosion-proof cable gland (DQM-II-M25 x 1.5 Ex d, brass, armored, cable wiring) | |
| Available cable outer diameter | Φ 10~Φ 14 (mm) | |
| Note | 1. For BAT51-400 type: if HIE, HSE or HME lamp required, explosion-proof ballast shall not be supplied. BAZ51 series explosion-proof ballast is recommended (see P2/102 when ordering). 2. For BAT51-1000 type: explosion-proof ballast shall be supplied. 3. HPI European standard HIE lamp is recommended for HIE light fitting. | |

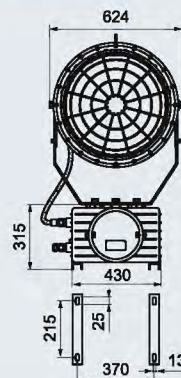
Dimension drawings (all dimensions in mm) - subject to alteration



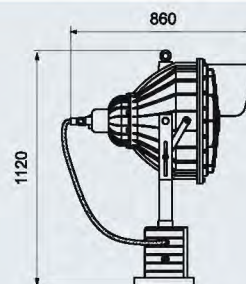
BAT51-400 Horizontal type



BAT51-400 Ceiling type



BAT51-1000



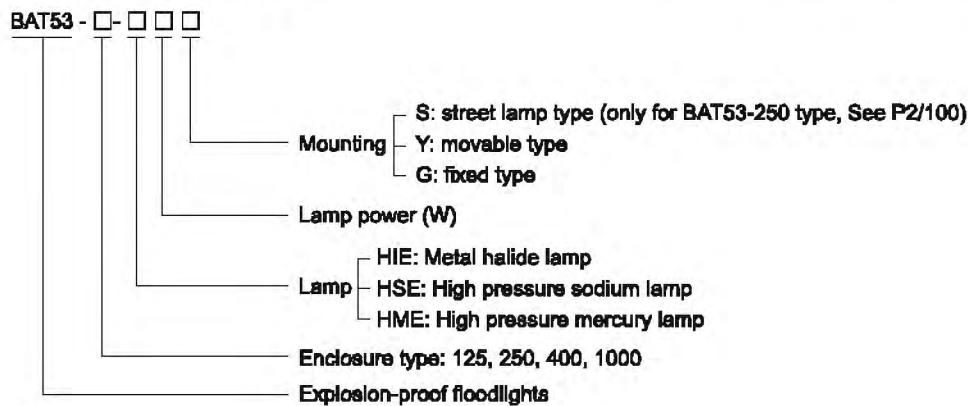


Floodlights

BAT53 Series Explosion-proof Floodlights

- ◆ Explosion protection to
 - CENELEC
 - IEC
 - NEC
- ◆ Can be used in
 - Zone 1 and Zone 2
 - Zone 21 and Zone 22
 - Class I, Zone 1 and Zone 2
 - Class I, Division 2, Groups C, D
 - Class I, Division 1, Groups C, D
- ◆ Four enclosure types: 125, 250, 400, 1000.
- ◆ Integral control gear, easy installation and maintenance.
- ◆ Rapid starting trigger, stable performance and long service life.
- ◆ Enclosure in copper-free aluminium, powder coated surface, yellow (RAL1021).
- ◆ Toughened glass cover resistant to temperature changes.

■ Catalogue number logic



■ Selection table

| Type/Ordering code | Available lamp power (W) | | | Lamp holder | Weight (kg) |
|--------------------|--------------------------|----------|----------|-------------|-------------|
| | HIE | HSE | HME | | |
| BAT53-125 | 70, 100, 150 | 70, 100 | 80, 125 | E27 | 8.45 |
| BAT53-250 | 175, 250 | 150, 250 | 175, 250 | E40 | 14.75 |
| BAT53-400 | 400 | 400 | - | E40 | 30.75 |
| BAT53-1000 | 1000 | 1000 | - | E40 | 58.00 |

■ Note

1. Please specify any spare parts when ordering. See Accessories table.
2. 125, 250 and 400 type light fittings are supplied without lamp. PHILIPS lamps are recommended.
3. HPI European standard ballast is supplied with HIE light fitting. HPI European standard lamps are recommended.
4. 1000 type light fittings are supplied with lamp and ballast.

Zones 1&2; 21&22

Technical data

Explosion-proof floodlights

BAT53-125-□□□

Explosion protection

Gas explosion protection

Dust explosion protection

 Ex II 2 G Ex de IIB T□¹⁾ Gb

 Ex II 2 D Ex tb IIIC T□¹⁾ Db IP66
¹⁾ See Selection Table

Certificates

LCIE 13 ATEX ____; IECEX; FM (USA)

Conformity to standards

EN 60079-0: 2009, EN 60079-1: 2007, EN 60079-7: 2007, EN 60079-31: 2009

IEC 60079-0: 2007, IEC 60079-1: 2007, IEC 60079-7: 2006, IEC 60079-31: 2008

Material

Enclosure

Copper-free aluminium, powder coated surface, yellow (RAL1021)

Glass cover

Toughened glass, stands 4J impact

Ballast

Choke ballast, rapid starting, stable performance

Wire guard

Powder coated carbon steel, white

Internal reflector

High-purity aluminium

Trigger

Explosion-proof electronic trigger

Capacitor

Power factor ≥ 0.90 (compensated)

Exposed fastener

Stainless steel

Lamp

Lamp holder

E27

Available lamp and lamp power (W)

High pressure sodium lamp (HSE): 70W, 100W

High pressure mercury lamp (HME): 80W, 125W

Metal halide lamp (HIE): 70W, 100W, 150W

Note: HPI European standard ballast is available in general

220~240V AC 50Hz (60Hz is optional)

Rated voltage

Earthing protection

M5 (internal & external earth bolts)

Degree of protection

IP66

Ambient temperature

-20°C~+55°C

Terminal

3 x 1.5~2.5mm² (L+N+PE)

Cable entries

2 x $\Phi 21$: 1 x M20 x 1.5 cable gland (DQM-I Ex e, carbon steel), 1 x M20 x 1.5 plug

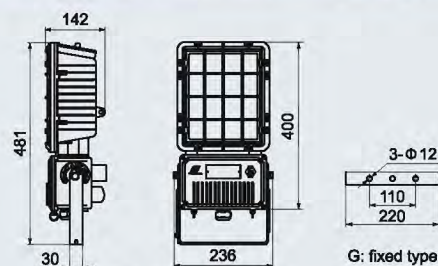
Available cable outer diameter

 $\Phi 5\sim\Phi 10$ (mm)

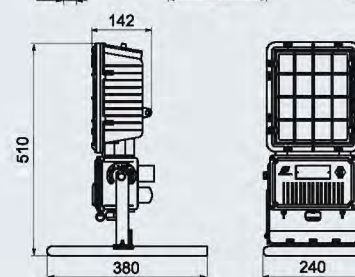
Selection Table

Dimension drawings (all dimensions in mm) - subject to alteration

| Lamp | Lamp power (W) | Temperature classification | |
|------|----------------|----------------------------|--------|
| | | Gas | Dust |
| HIE | 70 | T156°C | T156°C |
| HSE | 70 | T156°C | T156°C |
| HSE | 100 | T185°C | T185°C |
| HIE | 100 | T181°C | T181°C |
| HIE | 150 | T190°C | T190°C |
| HME | 80 | T163°C | T163°C |
| HME | 125 | T209°C | T209°C |



G: fixed type



Y: movable type

Floodlights

BAT53 Series Explosion-proof Floodlights

Technical data

Explosion-proof floodlights

BAT53-250-□□□

Explosion protection

Gas explosion protection
Dust explosion protection

Ex II 2 G Ex de IIB T3 Ex de IIB T3 Gb
Ex tD A21 T190°C IP65

Certificates

For gas explosion protection
For dust explosion protection

LCIE 05 ATEX 6143; IECEx CQM 07.0004; FM (USA)
PCEC (China)

Conformity to standards

EN 60079-0: 2004, EN 60079-1: 2004, EN 60079-7: 2003
IEC 60079-0: 2007, IEC 60079-1: 2007, IEC 60079-7: 2006
IEC 61241-0: 2004, IEC 61241-1: 2004

Material

Enclosure
Glass cover
Ballast
Wire guard
Internal reflector
Trigger
Capacitor
Exposed fastener

Copper-free aluminium, powder coated surface, yellow (RAL1021)
Toughened glass, stands 4J impact
Choke ballast, rapid starting, stable performance
Powder coated carbon steel, white
High-purity aluminium
Explosion-proof electronic trigger
Power factor ≥ 0.90 (compensated)
Stainless steel

Lamp

Lamp holder
Available lamp and lamp power (W)

E40
High pressure sodium lamp (HSE): 150W, 250W
High pressure mercury lamp (HME): 175W, 250W
Metal halide lamp (HIE): 175W, 250W
Note: HPI European standard ballast is available in general
220~240V AC 50Hz (60Hz is optional)

Rated voltage

Earthing protection

Degree of protection

Ambient temperature

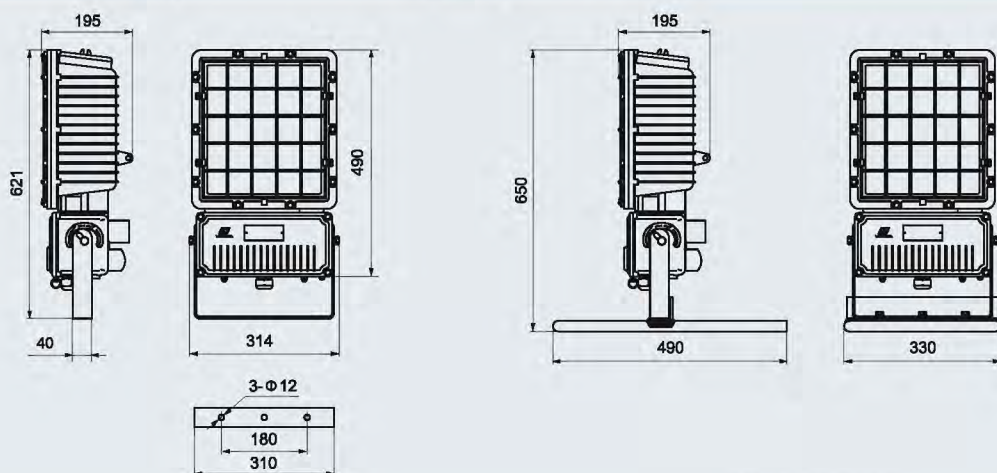
Terminal

Cable entries

Available cable outer diameter

M5 (internal & external earth bolts)
IP65
-20°C~+55°C
3 x 1.5~2.5mm² (L+N+PE)
2 x $\Phi 26$: 1 x M25 x 1.5 cable gland (DQM-I Ex e, carbon steel), 1 x M25 x 1.5 plug
 $\Phi 10$ ~ $\Phi 14$ (mm)

Dimension drawings (all dimensions in mm) - subject to alteration



G: fixed type

Y: movable type

Technical data

Explosion-proof floodlights

BAT53-400-□□□

Explosion protection

Gas explosion protection

 Ex II 2 G Ex de IIB T3

Dust explosion protection

Ex tD A21 T190°C IP65

Certificates

For gas explosion protection

LCIE 07 ATEX 6106; IECEx CQM 08.0014; BR229792 (Brazil); FM (USA)

For dust explosion protection

PCEC (China)

Conformity to standards

EN 60079-0: 2004, EN 60079-1: 2004, EN 60079-7: 2003

IEC 60079-0: 2004, IEC 60079-1: 2003, IEC 60079-7: 2001

IEC 61241-0: 2004, IEC 61241-1: 2004

Material

Enclosure

Copper-free aluminium, powder coated surface, yellow (RAL1021)

Glass cover

Toughened glass, stands 4J impact

Ballast

Choke ballast, rapid starting, stable performance

Internal reflector

High-purity aluminium

Trigger

Explosion-proof electronic trigger

Capacitor

Power factor ≥ 0.90 (compensated)

Exposed fastener

Stainless steel

Wire guard (optional)

Powder coated carbon steel(white) or stainless steel

Lamp

Lamp holder

E40

Available lamp and lamp power (W)

High pressure sodium lamp (HSE): 400W (tubular)

Metal halide lamp (HIE): 400W (tubular)

Note: HPI European standard ballast is available in general

Rated voltage

220~240V AC 50Hz (60Hz is optional)

Earthing protection

M5 (internal & external earth bolts)

Degree of protection

IP65

Ambient temperature

-20°C~+55°C

Terminal

3 x 1.5~2.5mm² (L+N+PE)

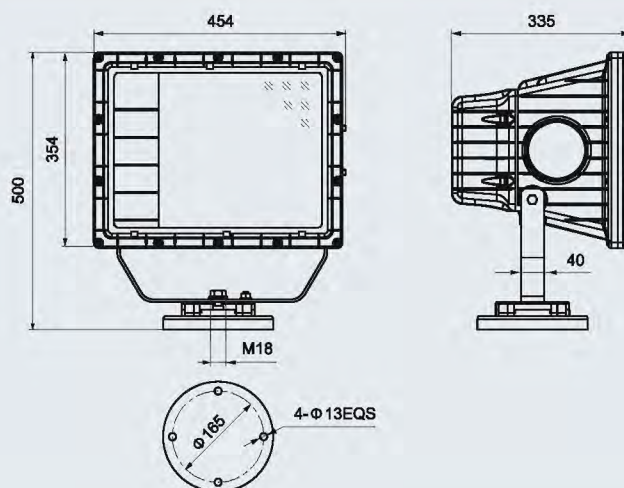
Cable entries

2 x M25 x 1.5: 1 x M25 x 1.5 cable gland (DQM-I Ex e, carbon steel), 1 x M25 x 1.5 plug

Available cable outer diameter

Φ 10~Φ 14 (mm)

Dimension drawings (all dimensions in mm) - subject to alteration



Floodlights

BAT53 Series Explosion-proof Floodlights

Technical data

Explosion-proof floodlights

BAT53-1000-□□□

Explosion protection

Gas explosion protection
Dust explosion protection

⊕ II 2 G Ex d IIB T□¹⁾ Gb
⊕ II 2 D Ex tb IIIC T□¹⁾ Db IP66

¹⁾ See Selection Table

Certificates

PCEC (China); LCIE 13 ATEX ____

Conformity to standards

EN 60079-0: 2009, EN 60079-1: 2007, EN 60079-31: 2009
IEC 60079-0: 2011, IEC 60079-1: 2007, IEC 60079-31: 2008

Material

Enclosure
Glass cover
Ballast
Trigger
Capacitor
Internal reflector
Exposed fastener

Copper-free aluminium, powder coated surface, yellow (RAL1021)
Toughened glass, stands 4J impact
Choke ballast, rapid starting, stable performance
General trigger
Power factor ≥ 0.90 (compensated)
High-purity aluminium
Stainless steel

Lamp

Lamp holder
Available lamp and lamp power (W)

E40
High pressure sodium lamp (HSE): 1000W
Metal halide lamp (HIE): 1000W
Note: HPI European standard ballast is available in general
230V AC 50Hz (60Hz is optional)
M5 (internal & external earth bolts)
IP66
-20°C~+55°C
3 x 1.5~2.5mm² (L+N+PE)
1 x M25 x 1.5
The cable between floodlight and ballast through BNG-M25 x 1.5(M)/M25 x 1.5(M) explosion-proof flexible conduit (length: 1000 mm); One explosion-proof cable gland (DQM-II-M25 x 1.5, Ex d, brass, armored, cable wiring)

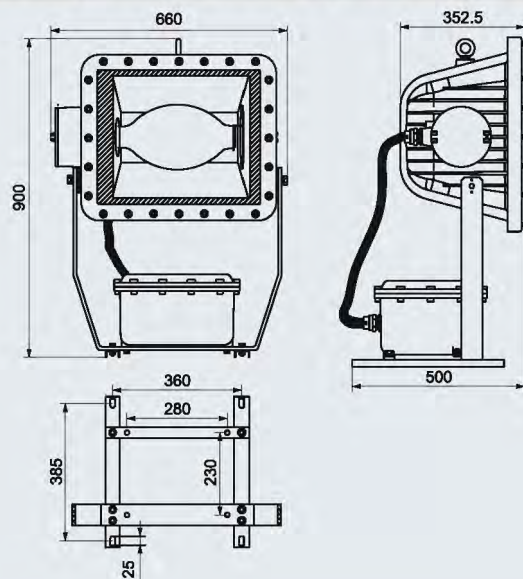
Available cable outer diameter

Φ 10~Φ 14 (mm)

Selection Table

| Lamp | Lamp power (W) | Temperature classification | |
|------|----------------|----------------------------|--------|
| | | Gas | Dust |
| HIE | 1000 | T242°C | T242°C |
| HSE | 1000 | T219°C | T219°C |

Dimension drawings (all dimensions in mm) - subject to alteration

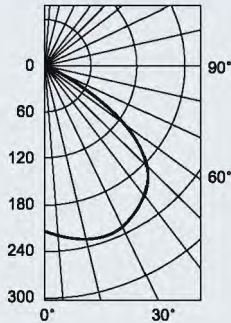


Photometric data

BAT53-125

Photometric data of
100W metal halide lamp

Rated luminous flux:9000lm;
Luminous intensity distribution cd/1000lm



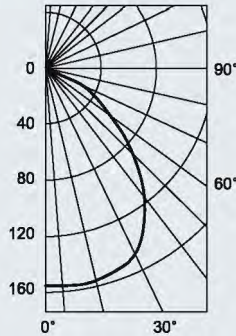
70W Metal halide lamp*0.56
70W High pressure sodium lamp*0.67
100W High pressure sodium lamp*1.06
80W High pressure mercury lamp*0.41
125W High pressure mercury lamp*0.68
150W Metal halide lamp*1.66

| Angle | CP | Angle | CP |
|-------|------|-------|------|
| 0 | 1948 | 50 | 1370 |
| 5 | 1945 | 55 | 612 |
| 10 | 1953 | 60 | 385 |
| 15 | 1963 | 65 | 236 |
| 20 | 1950 | 70 | 131 |
| 25 | 1955 | 75 | 66 |
| 30 | 1839 | 80 | 37 |
| 35 | 1733 | 85 | 0 |
| 40 | 1649 | 90 | 0 |
| 45 | 1588 | | |

BAT53-250

Photometric data of
250W metal halide lamp

Rated luminous flux:23000lm;
Luminous intensity distribution cd/1000lm



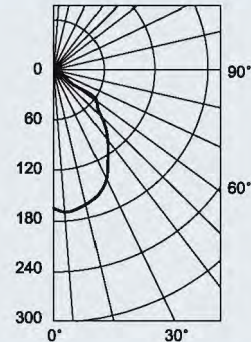
175W Metal halide lamp*0.61
150W High pressure sodium lamp*0.65
250W High pressure sodium lamp*1.22
175W High pressure mercury lamp*0.32
250W High pressure mercury lamp*0.55

| Angle | CP | Angle | CP |
|-------|------|-------|------|
| 0 | 3162 | 50 | 1419 |
| 5 | 3197 | 55 | 975 |
| 10 | 3183 | 60 | 613 |
| 15 | 3128 | 65 | 354 |
| 20 | 3073 | 70 | 202 |
| 25 | 3010 | 75 | 127 |
| 30 | 2790 | 80 | 65 |
| 35 | 2505 | 85 | 5 |
| 40 | 2191 | 90 | 3 |
| 45 | 1806 | | |

BAT53-400

Photometric data of
400W metal halide lamp

Rated luminous flux:38000lm;
Luminous intensity distribution cd/1000lm









400W High pressure sodium lamp*1.26

| Angle | CP | Angle | CP |
|-------|------|-------|------|
| 0 | 5982 | 50 | 2330 |
| 5 | 6178 | 55 | 1849 |
| 10 | 6103 | 60 | 443 |
| 15 | 6054 | 65 | 338 |
| 20 | 5706 | 70 | 234 |
| 25 | 5342 | 75 | 111 |
| 30 | 4751 | 80 | 52 |
| 35 | 4235 | 85 | 12 |
| 40 | 3517 | 90 | 4 |
| 45 | 2765 | | |

We can provide lighting design and data by professional lighting software DIALUX based upon simulated site situation on request.

Accessories

| Picture | Name | Ordering code | Weight (kg) |
|---|--|---------------|-------------|
|  | Explosion-proof electronic trigger (125, 250, 400 type) | 61034 | 0.30 |
|  | 125 Explosion-proof capacitor | 53012 | 0.45 |
|  | 250 Explosion-proof capacitor | 53013 | 0.45 |
|  | 400 Explosion-proof capacitor | 53014 | 0.55 |
|  | 125 Movable support | 53015 | 1.80 |
|  | 250 Movable support | 53016 | 2.35 |

Note: Ballast see P1/19

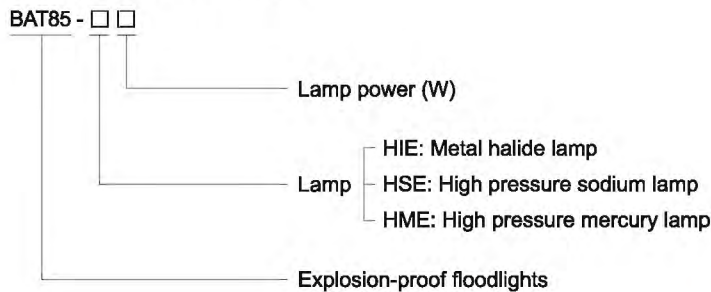


Floodlights

BAT85 Series Explosion-proof Floodlights

- ◆ Explosion protection to
 - CENELEC
 - IEC
 - NEC
- ◆ Can be used in
 - Zone 1 and Zone 2
 - Zone 21 and Zone 22
 - Class I, Zone 1 and Zone 2
 - Class I, Division 1, Groups A, B, C, D
- ◆ Enclosure in copper-free aluminium, powder coated surface, yellow (RAL1021).
- ◆ Integral control gear, easy installation and maintenance.
- ◆ Toughened glass cover resistant to temperature changes.
- ◆ The light fittings are supplied without lamp. PHILIPS lamps are recommended.
- ◆ Both American standard and European standard are available.

Catalogue number logic



Photometric data

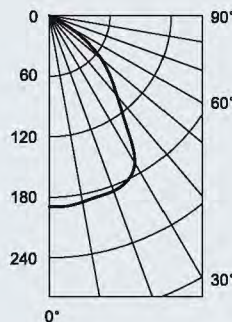
Photometric data of 250W metal halide lamp

Rated luminous flux:23000lm;

The data from PHILIPS lamp;

Luminous intensity distribution cd/1000lm

- 175W Metal halide lamp*0.61
- 150W High pressure sodium lamp*0.78
- 250W High pressure sodium lamp*1.22
- 175W High pressure mercury lamp*0.36
- 250W High pressure mercury lamp*0.55
- 400W Metal halide lamp*1.40
- 400W High pressure sodium lamp*2.36
- 400W High pressure mercury lamp*0.82



| Angle | CP | Angle | CP |
|-------|------|-------|------|
| 0 | 4066 | 50 | 1112 |
| 5 | 3773 | 55 | 945 |
| 10 | 3536 | 60 | 404 |
| 15 | 3385 | 65 | 292 |
| 20 | 3340 | 70 | 161 |
| 25 | 3292 | 75 | 90 |
| 30 | 3036 | 80 | 46 |
| 35 | 2475 | 85 | 0 |
| 40 | 1763 | 90 | 0 |
| 45 | 1404 | | |

We can provide lighting design and data by professional lighting software DIALUX based upon simulated site situation on request.

Zones 1&2; 21&22

| Technical data | |
|------------------------------------|--|
| Explosion-proof floodlights | BAT85-□□ |
| Explosion protection | <p>Gas explosion protection Ex d IIC T3¹⁾ or xxx¹⁾ Gb Ex d IIC T3¹⁾ or xxx¹⁾ Gb</p> <p>Dust explosion protection Ex t IIIC T190¹⁾ or xxx¹⁾ Db IP65 Ex t IIIC T190¹⁾ or xxx¹⁾ Db IP65</p> <p>¹⁾ See Selection Table for temperature classification</p> |
| Certificates | LCIE 10 ATEX 3083; IECEx CQM 11.0013; FM (USA) |
| Conformity to standards | EN 60079-0: 2009, EN 60079-1: 2007, EN 60079-31: 2009 IEC 60079-0: 2007, IEC 60079-1: 2007, IEC 60079-31: 2008 |
| Material | |
| Enclosure | Copper-free aluminium, powder coated surface, yellow (RAL1021) |
| Glass cover | Toughened glass, stands 4J impact |
| Ballast | Choke ballast, rapid starting, stable performance |
| Trigger | General trigger |
| Capacitor | Power factor ≥ 0.90 (compensated) |
| Internal reflector | High-purity aluminium |
| Exposed fastener | Stainless steel |
| Lamp | |
| Lamp holder | E40 |
| Available lamp | Metal halide lamp (HIE): 175W, 250W, 400W High pressure sodium lamp (HSE): 150W, 250W, 400W High pressure mercury lamp (HME): 175W, 250W, 400W |
| Rated voltage | European standard: 120V, 208V, 220~240V, 250V, 277V AC 50Hz (60Hz is optional) American standard: 120V, 208V, 240V, 277V AC 60Hz (50Hz is optional) |
| Earthing protection | M5 (internal & external earth bolts) |
| Degree of protection | IP65 |
| Ambient temperature | -20°C~+55°C |
| Terminal | 3 x 1.5~2.5mm ² (L+N+PE) |
| Cable entries | 2 x M25 x 1.5 plug |
| Cable gland (optional) | DQM-II (Ex d) or DQM-III (Ex d) is recommended. Please see P7/20~25. |
| Weight | European standard: 28.50kg American standard :31.40kg |

| Selection Table | | | | Dimension drawings (all dimensions in mm) - subject to alteration | | | |
|------------------------|------|----------------|----------------------------|---|--------------------|-------|--|
| Rated voltage | Lamp | Lamp power (W) | Temperature classification | | | | |
| | | | -20°C ≤ Ta ≤ +40°C | | -20°C ≤ Ta ≤ +55°C | | |
| | | | Gas | Dust | Gas | Dust | |
| 120V AC 50/60Hz | HIE | 175, 250, 400 | T3 | 190°C | T3 | 190°C | |
| | HSE | 150, 250, 400 | T3 | 190°C | T3 | 190°C | |
| 208/220V AC 50/60Hz | HIE | 175, 250, 400 | T3 | 190°C | T3 | 190°C | |
| | HME | 175, 250, 400 | T3 | 190°C | T3 | 190°C | |
| | HSE | 150, 250, 400 | T3 | 190°C | T3 | 190°C | |
| 230V AC 50/60Hz | HIE | 175, 250, 400 | T3 | 190°C | T3 | 190°C | |
| | HME | 175, 250, 400 | T3 | 190°C | T3 | 190°C | |
| | HSE | 150, 250, 400 | T3 | 190°C | 206°C | 206°C | |
| 240V AC 50/60Hz | HIE | 175, 250, 400 | T3 | 190°C | T3 | 190°C | |
| | HME | 175, 250, 400 | T3 | 190°C | 211°C | 211°C | |
| | HSE | 150, 250, 400 | T3 | 190°C | 212°C | 212°C | |
| 250V AC 50/60Hz | HIE | 175, 250, 400 | T3 | 190°C | T3 | 190°C | |
| | HME | 175, 250, 400 | T3 | 190°C | 216°C | 216°C | |
| | HSE | 150, 250, 400 | T3 | 190°C | 226°C | 226°C | |
| 277V AC 50/60Hz | HIE | 175, 250, 400 | T3 | 190°C | T3 | 190°C | |
| | HME | 175, 250, 400 | T3 | 190°C | 208°C | 208°C | |
| | HSE | 150, 250, 400 | T3 | 190°C | 225°C | 225°C | |

Technical data

Explosion-proof LED floodlights BAT86-100-□□

Explosion protection

Gas explosion protection

⊕ II 2 G Ex de IIC T5 Gb

Dust explosion protection

⊕ II 2 D Ex tb IIIC T95°C Db IP66

Certificates

PCEC(China); LCIE 13 ATEX____; IECEX; FM (USA); GOST.R (Russia)

Conformity to standards

EN 60079-0: 2009, EN 60079-1: 2007, EN 60079-7: 2007, EN 60079-31: 2009
IEC 60079-0: 2011, IEC 60079-1: 2007, IEC 60079-7: 2006, IEC 60079-31: 2008

Material

Enclosure

Copper-free aluminium, powder coated surface, yellow (RAL1021)

Glass cover

Toughened glass, stands 4J impact

Power controller

Wide voltage input, CC-CV (constant current - constant voltage) output, power factor ≥ 0.98 , with function of distributed current, constant current, surge-proof and anti-electromagnetic interference, and protection against overcurrent, open circuit, and short circuit

Exposed fastener

Stainless steel

Lamp

Lamp specification

CREE plural white LED modules

Lamp power (W)

50W, 70W, 100W

Rated voltage

187~265V AC 50/60Hz

Earthing protection

M5 (internal & external earth bolts)

Degree of protection

IP66

Ambient temperature

-40°C~+55°C

Terminal

3 x 1.5~4mm² (L+N+PE)

Mounting

Movable type, fixed type

Note: Fixed type can be used in horizontal type ceiling type, wall type, etc.

Cable entries

G3/4" (NPT3/4" or M25 x 1.5 with reducer on request.)

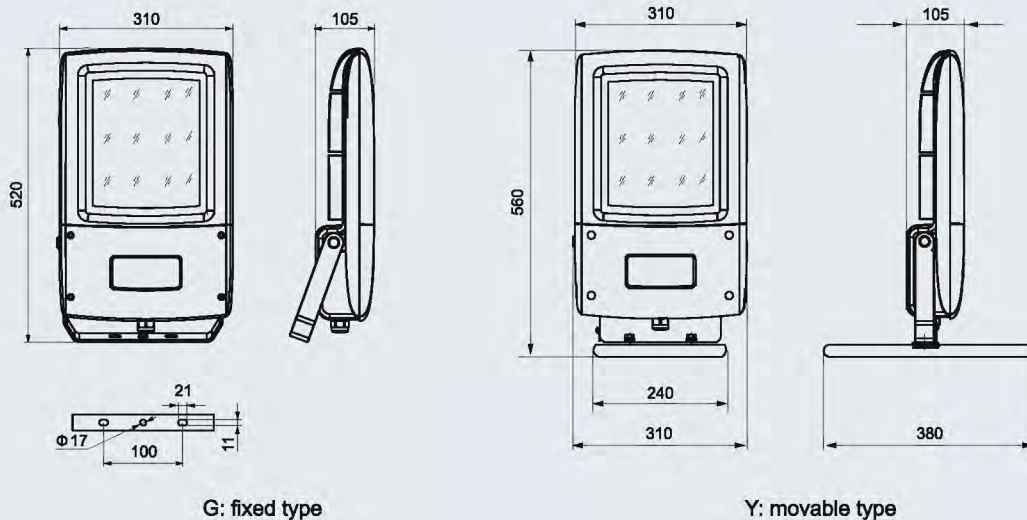
Cable gland

1 x G3/4" cable gland (DQM-I Ex e, carbon steel)

Applicable cable outer diameter

Φ10~Φ14 (mm)

Dimension drawings (all dimensions in mm) - subject to alteration



Floodlights

BAT86 Series Explosion-proof LED Floodlights

Technical data

Explosion-proof LED floodlights BAT86-160-□□

Explosion protection

Gas explosion protection

II 2 G Ex d IIB T5 Gb

Dust explosion protection

II 2 D Ex tb IIIC T95°C Db IP66

Certificates

LCIE 13 ATEX____; IECEX; FM (USA); GOST.R (Russia)

Conformity to standards

EN 60079-0: 2009, EN 60079-1: 2007, EN 60079-31: 2009

IEC 60079-0: 2011, IEC 60079-1: 2007, IEC 60079-31: 2008

Material

Enclosure

Copper-free aluminium, powder coated surface, yellow (RAL1021)

Glass cover

Toughened glass, stands 4J impact

Power controller

Wide voltage input, CC-CV (constant current - constant voltage) output, power factor ≥ 0.98 , with function of distributed current, constant current, surge-proof and anti-electromagnetic interference, and protection against overcurrent, open circuit, and short circuit

Exposed fastener

Stainless steel

Lamp

Lamp specification

COB LED modules

Lamp power (W)

120W, 160W

Rated voltage

100~300V AC 50/60Hz

Earthing protection

M5 (internal & external earth bolts)

Degree of protection

IP66

Ambient temperature

-40°C~+55°C

Terminal

3 x 1.5~4mm² (L+N+PE)

Mounting

Movable type, fixed type

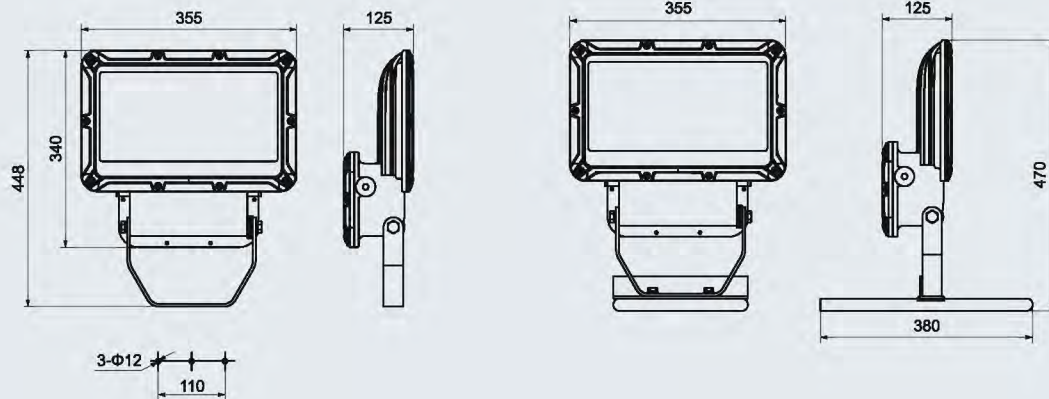
Cable entries

2 x M25 x 1.5 plug

Cable gland

DQM-II (Ex d) or DQM-III (Ex d) is recommended. Please see P7/20~25.

Dimension drawings (all dimensions in mm) - subject to alteration



G: fixed type

Y: movable type

Photometric data

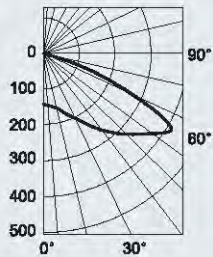
BAT86-100

Photometric data of 100W LED lamp

Rated luminous flux:9000lm;

The data from CREE lamp;

Luminous intensity distribution cd/1000lm



| Angle | CP | Angle | CP |
|-------|------|-------|------|
| 0 | 1259 | 50 | 2650 |
| 5 | 1305 | 55 | 3015 |
| 10 | 1351 | 60 | 3380 |
| 15 | 1397 | 65 | 2265 |
| 20 | 1493 | 70 | 1150 |
| 25 | 1589 | 75 | 35 |
| 30 | 1685 | 80 | 0 |
| 35 | 1885 | 85 | 0 |
| 40 | 2085 | 90 | 0 |
| 45 | 2285 | | |

50W LED lamp*0.5

70W LED lamp*0.7

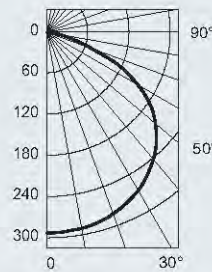
BAT86-160

Photometric data of 160W LED lamp

Rated luminous flux:15000lm;

The data from CREE lamp;

Luminous intensity distribution cd/1000lm



| Angle | CP | Angle | CP |
|-------|------|-------|------|
| 0 | 4005 | 50 | 2372 |
| 5 | 3995 | 55 | 2013 |
| 10 | 3995 | 60 | 1637 |
| 15 | 3886 | 65 | 1252 |
| 20 | 3788 | 70 | 911 |
| 25 | 3661 | 75 | 495 |
| 30 | 3506 | 80 | 210 |
| 35 | 3239 | 85 | 7 |
| 40 | 3025 | 90 | 5 |
| 45 | 2721 | | |

120W LED lamp*0.75

We can provide lighting design and data by professional lighting software DIALUX based upon simulated site situation on request.

Accessories

| Picture | Name | Ordering code | Weight (kg) |
|---------|-----------------------|---------------|-------------|
| | Power controller 50W | 86001 | 0.60 |
| | Power controller 70W | 86002 | 0.60 |
| | Power controller 100W | 86003 | 0.60 |
| | Power controller 120W | 86004 | 1.02 |
| | Power controller 160W | 86005 | 1.02 |
| | LED Lamp module 50W | 86006 | 0.01 |
| | LED Lamp module 70W | 86007 | 0.01 |
| | LED Lamp module 100W | 86008 | 0.01 |
| | LED Lamp module 120W | 86009 | 0.05 |
| | LED Lamp module 160W | 86010 | 0.05 |

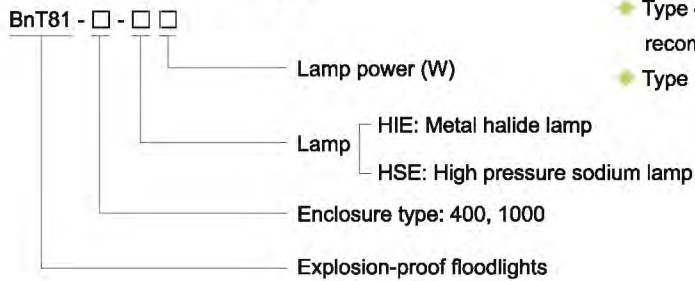


Floodlights

BnT81 Series Explosion-proof Floodlights

- ◆ Explosion protection to
 - CENELEC
 - IEC
 - NEC
- ◆ Can be used in
 - Zone 2
 - Zone 21 and Zone 22
 - Class I, Zone 2
 - Class I, Division 2, Groups A, B, C, D
- ◆ Available lamp (max.1000W):
 - Metal halide lamp (HIE)
 - High pressure sodium lamp (HSE)
- ◆ Two enclosure types: 400, 1000.
- ◆ Type 400: lamp and ballast are of integral type.
Type 1000: lamp and ballast are split type.
- ◆ Enclosure in copper-free aluminium, powder coated surface (RAL7035).
- ◆ Both American standard and European standard are available.
- ◆ Type 400 are supplied without lamp, PHILIPS lamps are recommended.
- ◆ Type 1000 are supplied with lamp.

■ Catalogue number logic



Zones 2; 21&22

| Technical data | | | | | | | | | | | | | |
|--|---|--|-----|------------------|--|-----|------------------|--|-----|------------------|--|-----|------------------|
| Explosion-proof floodlights | BnT81-400-□□ | | | | | | | | | | | | |
| Explosion protection | Gas explosion protection Dust explosion protection | | | | | | | | | | | | |
| Certificates | LCIE 12 ATEX 1012X (Gas); LCIE 12 ATEX 3052X (Dust); IECEx CQM 12.0011X FM (USA); GOST.R (Russia) | | | | | | | | | | | | |
| Conformity to standards | EN 60079-0: 2009, EN 60079-15: 2010, EN 60079-31: 2009 IEC 60079-0: 2007, IEC 60079-15: 2010, IEC 60079-31: 2008 | | | | | | | | | | | | |
| Material | Copper-free aluminium, powder coated surface | | | | | | | | | | | | |
| Enclosure | Toughened glass, stands 4J impact | | | | | | | | | | | | |
| Glass cover | High-purity aluminium | | | | | | | | | | | | |
| Internal reflector | Chock ballast, rapid starting, stable performance | | | | | | | | | | | | |
| Ballast | General trigger | | | | | | | | | | | | |
| Trigger | Power factor ≥ 0.90 (compensated) | | | | | | | | | | | | |
| Capacitor | Stainless steel | | | | | | | | | | | | |
| Exposed fastener | | | | | | | | | | | | | |
| Lamp | E40 | | | | | | | | | | | | |
| Lamp holder | | | | | | | | | | | | | |
| Available lamp and lamp power (W) | <table border="1"> <thead> <tr> <th>American standard 120V/208V/240V/277V/480V AC</th> <th>HIE</th> <th>175W, 250W, 400W</th> </tr> </thead> <tbody> <tr> <td></td> <th>HSE</th> <td>150W, 250W, 400W</td> </tr> <tr> <th>European standard 220~240V, 250V AC</th> <th>HIE</th> <td>175W, 250W, 400W</td> </tr> <tr> <td></td> <th>HSE</th> <td>150W, 250W, 400W</td> </tr> </tbody> </table> | American standard 120V/208V/240V/277V/480V AC | HIE | 175W, 250W, 400W | | HSE | 150W, 250W, 400W | European standard 220~240V, 250V AC | HIE | 175W, 250W, 400W | | HSE | 150W, 250W, 400W |
| American standard 120V/208V/240V/277V/480V AC | HIE | 175W, 250W, 400W | | | | | | | | | | | |
| | HSE | 150W, 250W, 400W | | | | | | | | | | | |
| European standard 220~240V, 250V AC | HIE | 175W, 250W, 400W | | | | | | | | | | | |
| | HSE | 150W, 250W, 400W | | | | | | | | | | | |
| Rated voltage | Note: Please see Selection table of American standard HID lamp and corresponding electrical components (See P1/20) American standard: 120V/208V/240V/277V/480V AC 60Hz (50Hz is optional) European standard: 220~240V, 250V AC 50Hz (60Hz is optional) | | | | | | | | | | | | |
| Earthing protection | M5 (internal & external earth bolts) | | | | | | | | | | | | |
| Degree of protection | IP65 | | | | | | | | | | | | |
| Ambient temperature | -60°C~+55°C | | | | | | | | | | | | |
| Terminal | 3 x 1.5~4mm ² (L+N+PE) | | | | | | | | | | | | |
| Cable entries | 2 x $\Phi 21$: 1 x M20 x 1.5 plug, 1 x M20 x 1.5 cable gland (DQM-I Ex e, carbon steel) | | | | | | | | | | | | |
| Applicable cable outer diameter | $\Phi 5 \sim \Phi 10$ (mm) | | | | | | | | | | | | |
| Weight | American standard: 16.10kg European standard: 12.85kg | | | | | | | | | | | | |

| Selection Table | | | | Dimension drawings (all dimensions in mm) - subject to alteration | |
|--|------|----------------|----------------------------|---|--|
| Rated voltage | Lamp | Lamp power (W) | Temperature classification | | |
| | | | Gas | Dust | |
| 220~240V 250V AC 50/60Hz | HIE | 175,250 | T3 | T190°C | |
| | HSE | 150,250 | T3 | T190°C | |
| | HIE | 400 | T252°C | T252°C | |
| | HSE | 400 | T252°C | T252°C | |
| 120V/208V 240V/277V 480V AC 50/60Hz | HIE | 175,250,400 | T3 | T190°C | |
| | HSE | 150,250,400 | T3 | T190°C | |

Floodlights

BnT81 Series Explosion-proof Floodlights

Technical data

Explosion-proof floodlights

BnT81-1000-□□

Explosion protection

Gas explosion protection
Dust explosion protection

⊕ II 3 G Ex nR IIC T2 Gc
⊕ II 2 D Ex tb IIIC T290°C Db IP65

Certificates

LCIE 13 ATEX ____ (Gas); LCIE 13 ATEX ____ (Dust); IECEx FM (USA); GOST.R (Russia)

Conformity to standards

EN 60079-0: 2009, EN 60079-15: 2010, EN 60079-31: 2009
IEC 60079-0: 2011, IEC 60079-15: 2010, IEC 60079-31: 2008

Material

Enclosure
Glass cover
Internal reflector
Ballast
Trigger
Capacitor
Exposed fastener

Copper-free aluminium, powder coated surface
Toughened glass, stands 4J impact
High-purity aluminium
Chock ballast, rapid starting, stable performance
General trigger
Power factor ≥ 0.90 (compensated)
Stainless steel

Lamp

Lamp holder
Available lamp and lamp power (W)

E40

| | | |
|---|-----|-------|
| American standard 120V/208V/240V/277V AC | HIE | 1000W |
| | HSE | 1000W |
| European standard 230V AC | HIE | 1000W |
| | HSE | 1000W |

Note: Please see Selection table of American standard HID lamp and corresponding electrical components (See P1/20)

Rated voltage

American standard: 120V/208V/240V/277V AC 60Hz (50Hz is optional)
European standard: 230V AC 50Hz (60Hz is optional)

Earthing protection

Degree of protection

Ambient temperature

Terminal

Cable entries

M5 (internal & external earth bolts)

IP65

-60°C~+55°C

3 x 1.5~4mm²(L+N+PE)

lamp : 1 x G3/4" cable gland (DQM-I Ex e, brass armored cable wiring)

ballast: 2 x G3/4" cable gland (DQM-I Ex e, brass armored cable wiring)

Φ 10~Φ 14 (mm)

Applicable cable outer diameter

Weight

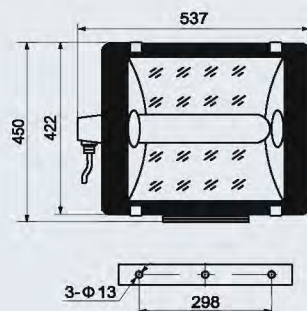
Lamp
Ballast

10.00kg

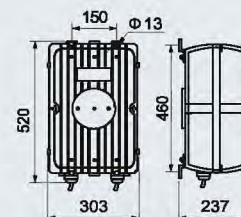
American standard: 21.80kg

European standard: 18.60kg

Dimension drawings (all dimensions in mm) - subject to alteration



BnT81-1000



BnT81-1000 Ballast

Photometric data

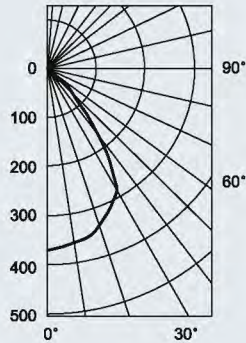
BnT81-400

Photometric data of 250W metal halide lamp

Rated luminous flux:23000lm;

The data from PHILIPS lamp;

Luminous intensity distribution cd/1000lm



175W Metal halide lamp*0.61

150W High pressure sodium lamp*0.65

250W High pressure sodium lamp*1.22

400W Metal halide lamp*1.65

400W High pressure sodium lamp*2.08

| Angle | CP | Angle | CP |
|-------|------|-------|------|
| 0 | 8658 | 50 | 4092 |
| 5 | 8691 | 55 | 2570 |
| 10 | 8577 | 60 | 1047 |
| 15 | 8536 | 65 | 723 |
| 20 | 8174 | 70 | 400 |
| 25 | 7812 | 75 | 75 |
| 30 | 7450 | 80 | 0 |
| 35 | 6838 | 85 | 0 |
| 40 | 6226 | 90 | 0 |
| 45 | 5615 | | |

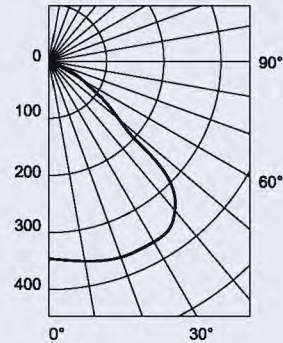
BnT81-1000

Photometric data of 1000W High pressure sodium lamp

Rated luminous flux:130000lm;

The data from PHILIPS lamp;

Luminous intensity distribution cd/1000lm



1000W Metal halide lamp*0.65

| Angle | CP | Angle | CP |
|-------|-------|-------|-------|
| 0 | 29915 | 50 | 12585 |
| 5 | 33198 | 55 | 6076 |
| 10 | 28325 | 60 | 2707 |
| 15 | 26070 | 65 | 1057 |
| 20 | 25310 | 70 | 613 |
| 25 | 24773 | 75 | 487 |
| 30 | 30708 | 80 | 320 |
| 35 | 29919 | 85 | 6 |
| 40 | 25734 | 90 | 0 |
| 45 | 17314 | | |

We can provide lighting design and data by professional lighting software DIALUX based upon simulated site situation on request.



Street Lamps

BAT53-250, BAT53-400 Series

BAD91-250, BAD91-400 Series

BDD91-150, BDD91-250, BDD91-400 Series

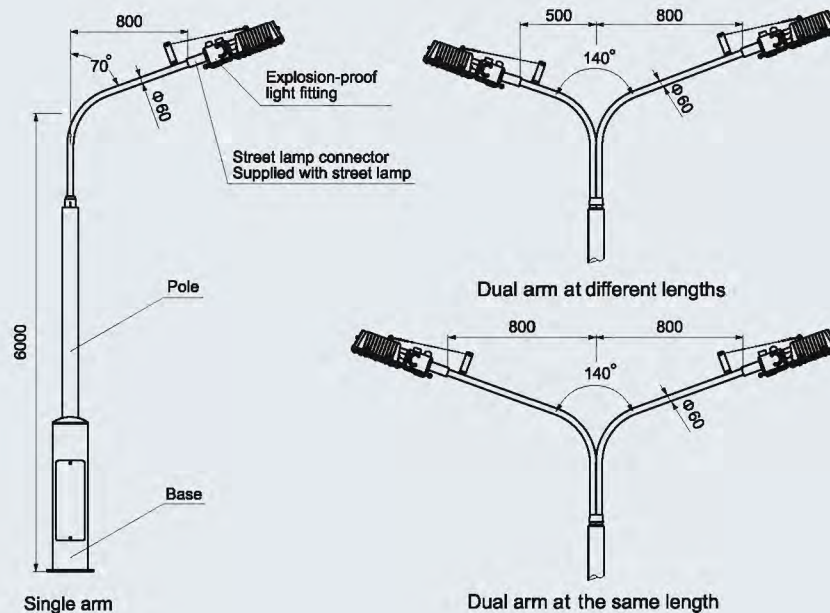
BnT81 Series

Explosion-proof Street Lamps

- ◆ Explosion protection to
 - CENELEC
 - IEC
 - NEC
- ◆ Can be used in
 - Zone 1 and Zone 2
 - Zone 21 and Zone 22
- ◆ Please refer to mounting schematic diagram to select right lamp and mounting types on request of job site.
- ◆ Please refer to this catalogue for detail technical data and ordering information of each light fitting.

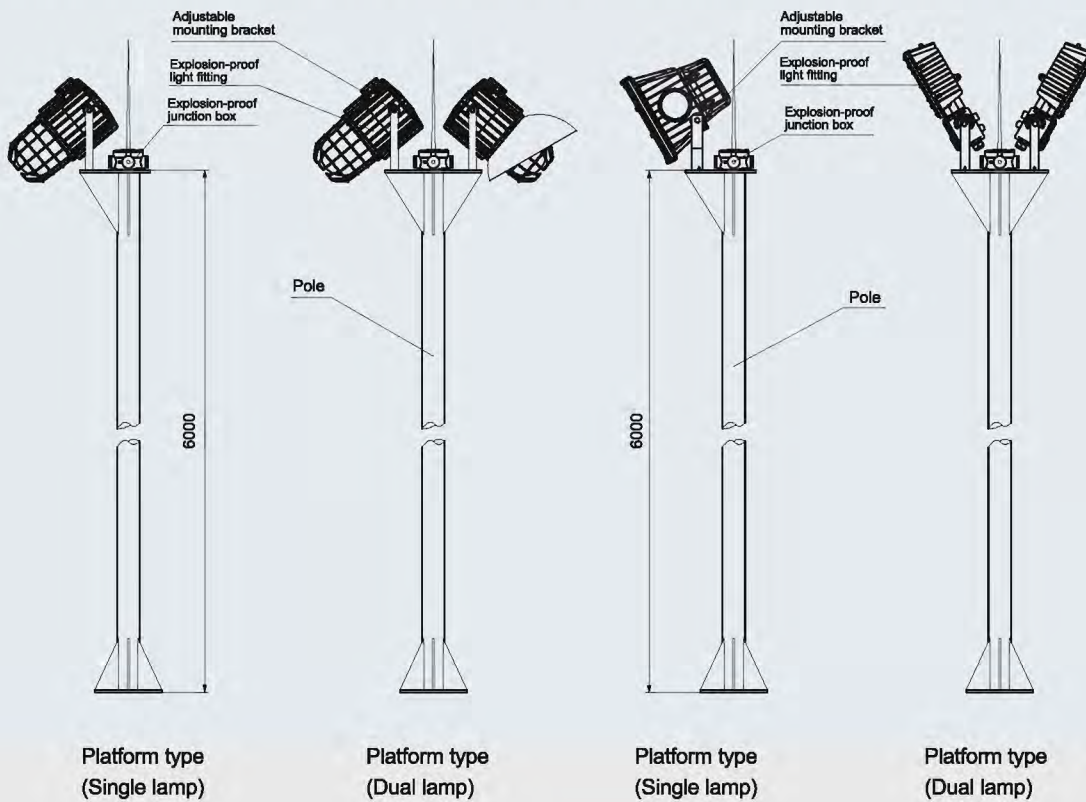
Note: If BAT53-250 type street lamp required, please specify when ordering.
- ◆ The street lamps are supplied without pole; please specify when ordering.

Mounting schematic diagram of BAT53-250 series street lamps



Zones 1&2; 21&22

Mounting schematic diagram of BAT53-250, BAT53-400 series, BAD91-250, BAD91-400 series street lamps

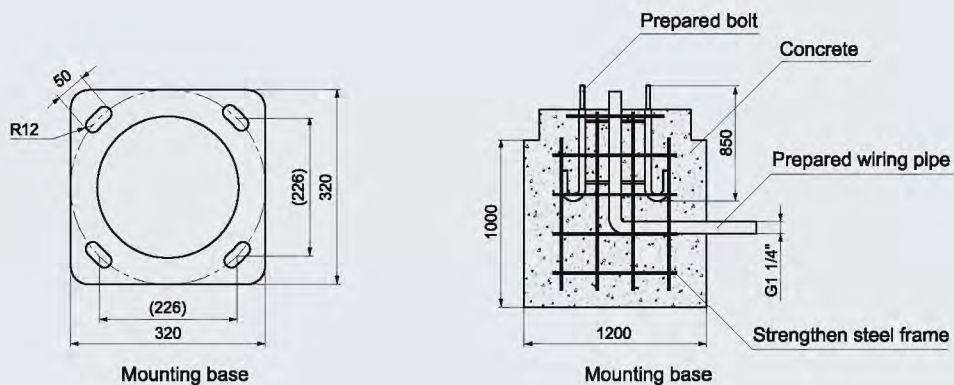


BAD91-250, BAD91-400 series

BAT53-250, BAT53-400 series

- Note:** 1. For BAD91-400 series or BAD91-250 series, the installation angle of light fittings can be adjusted on request of lighting on job site.
2. External reflector is optional, which increases luminous intensity at site.

Reference diagram of street lamp mounting base



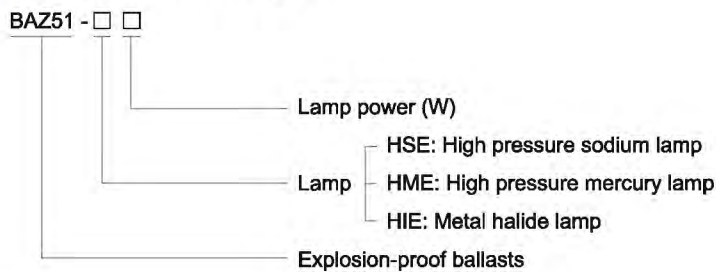


Ballasts

BAZ51 Series Explosion-proof Ballasts

- Explosion protection to
 - CENELEC
 - IEC
 - NEC
- Can be used in
 - Zone 1 and Zone 2
 - Zone 21 and Zone 22
- Applicable to lamp (max. 400W) of HIE, HSE and HME.
- Enclosure in copper-free aluminium, powder coated surface, yellow (RAL1021).
- Choke ballast, rapid starting, stable performance.

Catalogue number logic



Selection table

| Type/Ordering code | Available lamp Power(W) | Weight (kg) | Enclosure | Type/Ordering code | Available lamp Power(W) | Weight (kg) | Enclosure |
|--------------------|-------------------------|-------------|-----------|--------------------|-------------------------|-------------|-----------|
| BAZ51-HIE 70 | HIE 70 | 5.65 | I | BAZ51-HSE 150 | HSE 150 | 6.60 | I |
| BAZ51-HIE 100 | HIE 100 | 6.25 | I | BAZ51-HSE 250 | HSE 250 | 6.95 | II |
| BAZ51-HIE 150 | HIE 150 | 6.55 | I | BAZ51-HSE 400 | HSE 400 | 8.65 | II |
| BAZ51-HIE 175 | HIE 175 | 6.60 | I | BAZ51-HME 80 | HME 80 | 5.60 | I |
| BAZ51-HIE 250 | HIE 250 | 6.60 | I | BAZ51-HME 125 | HME 125 | 6.25 | I |
| BAZ51-HIE 400 | HIE 400 | 8.70 | II | BAZ51-HME 175 | HME 175 | 6.60 | I |
| BAZ51-HSE 70 | HSE 70 | 5.65 | I | BAZ51-HME 250 | HME 250 | 6.50 | I |
| BAZ51-HSE 100 | HSE 100 | 6.25 | I | BAZ51-HME 400 | HME 400 | 8.65 | II |

Note: The power factor is more than 0.90 while equipped with compensation capacitor.

Zones 1&2; 21&22

BAZ51 Series Explosion-proof Ballasts

Technical data

Explosion-proof ballasts

BAZ51-□□

Explosion protection

- Gas explosion protection
- Dust explosion protection

Ex II 2 G Ex d IIB T6
Ex tD A21 T80°C IP65

Certificates

- For gas explosion protection
- For dust explosion protection

LCIE 06 ATEX 6019; IECEx LCI 08. 0002
PCEC (China)

Conformity to standards

EN 60079-0: 2004, EN 60079-1: 2004
IEC 60079-0: 2004, IEC 60079-1: 2003, IEC 61241-0: 2004, IEC 61241-1: 2004

Material

- Enclosure
- Exposed fastener

Copper-free aluminium, powder coated surface, yellow (RAL1021)
Stainless steel

Available lamp

High pressure sodium lamp (HSE): 70W, 100W, 150W, 250W, 400W
High pressure mercury lamp (HME): 80W, 125W, 175W, 250W, 400W
Metal halide lamp (HIE): 70W, 100W, 150W, 175W, 250W, 400W

Rated voltage

Note: HPI European standard ballast is available in general
220~240V AC 50Hz (60Hz is optional)
Note: other voltage on request.

Earthing protection

M5 (internal & external earth bolts)

Degree of protection

IP65

Ambient temperature

-20°C~+55°C

Terminal

3 x 1.5~2.5mm² (L+N+PE)

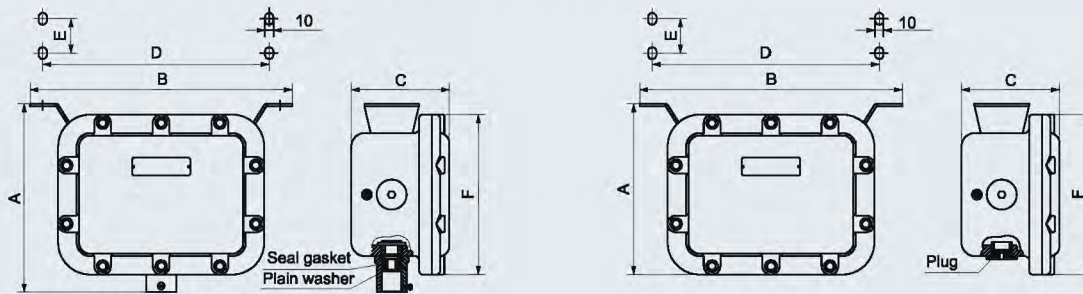
Cable entries

3 x M25 x 1.5 Plug for independent type
2 x M25 x 1.5 Plug for block type
With seal gasket and plain washer at bottom entries

Cable gland (optional)

DQM-II (Ex d) or DQM-III (Ex d) is recommended. Please see P7/20~25.

Dimension drawings (all dimensions in mm) - subject to alteration



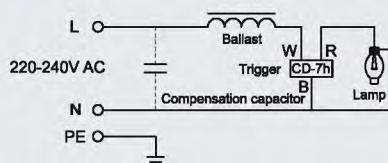
| Enclosure | Size (mm) | | | | | |
|-----------|-----------|-----|-----|-----|----|-----|
| | A | B | C | D | E | F |
| I | 255 | 288 | 117 | 154 | 30 | 191 |
| II | 240 | 313 | 137 | 179 | 30 | 206 |

Outline 1(For block mounting, for example: used for series BAD)

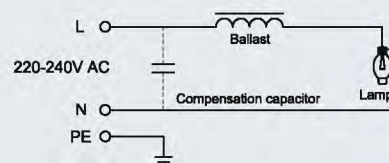
| Enclosure | Size (mm) | | | | | |
|-----------|-----------|-----|-----|-----|----|-----|
| | A | B | C | D | E | F |
| I | 204 | 228 | 117 | 154 | 30 | 191 |
| II | 229 | 313 | 137 | 179 | 30 | 206 |

Outline 2(For independent mounting, for example: used for series BAT51-400)

Schematic diagram of light fittings and ballasts



Schematic diagram 1 (For HSE or HIE)



Schematic diagram 2 (For HME)



Hand Lamps

BSX-60 Series Explosion-proof Incandescent Hand Lamps

- ◆ Explosion protection to
 - CENELEC
 - IEC
 - NEC
- ◆ Can be used in
 - Zone 1 and Zone 2
 - Class I, Zone 1 and Zone 2
 - Class I, Division 2, Groups A, B, C, D
- ◆ Incandescent lamps: max. 60W
- ◆ Cable on request
- ◆ Handle in plastic, with control pushbutton
- ◆ Powder coated wire guard, white
- ◆ Toughened glass cover resistant to temperature changes
- ◆ Movable transformer on request (see the following diagram)

BSX-60 is with the schematic diagram of BCZY Explosion-proof movable switchboard



Note: For BCZY Explosion-proof movable switchboard, please refer to P3/46~47 of the catalogue

Zones 1&2

Technical data

Explosion-proof Incandescent hand lamps BSX-60

Explosion protection

Gas explosion protection Ex II 2 G Ex de IIC T4

Certificates

For gas explosion protection LCIE 07 ATEX 6028; IECEx CQM 08.0015; BVC 10.0043 (Brazil)

Conformity to standards

EN 60079-0: 2004, EN 60079-1: 2004, EN 60079-7: 2003
IEC 60079-0: 2004, IEC 60079-1: 2003, IEC 60079-7: 2001

Material

Enclosure Copper-free aluminium, powder coated surface, yellow (RAL1021)

Handle Plastic, black

Exposed fastener Stainless steel

Wire guard Powder coated carbon steel, white

Lamp

Lamp holder E27

Available lamp Incandescent lamp: 25W, 40W, 60W

Rated voltage

Max. 230V

Protection class

II (Protection against electric shock)

Degree of protection

IP65

Ambient temperature

-20°C~+55°C

Terminal

3 x 1.5~2.5mm² (L+N+PE)

Cable entries

1 x M25 x 1.5 cable gland (DQM-I Ex e, plastic)




Available cable outer diameter

Φ9~Φ16 (mm)

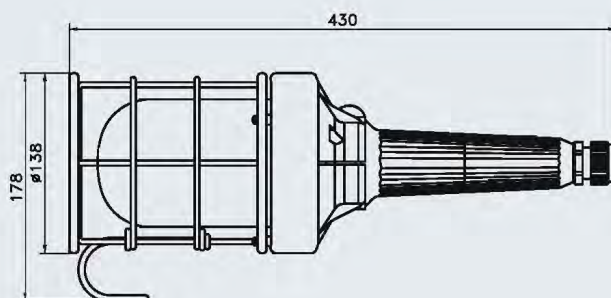
Weight

2.35kg

Accessories

| Picture | Name | Ordering code | Weight (kg) |
|---|------------------------------------|---------------|-------------|
|  | Wire guard | BSX101 | 0.35 |
|  | | | |
|  | Transparent cover with fixing-ring | BSX102 | 1.50 |

Dimension drawings (all dimensions in mm) - subject to alteration





Hand lamps

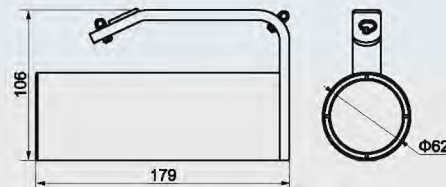
BAD305 Portable Searchlight

BAD309E Searchlight

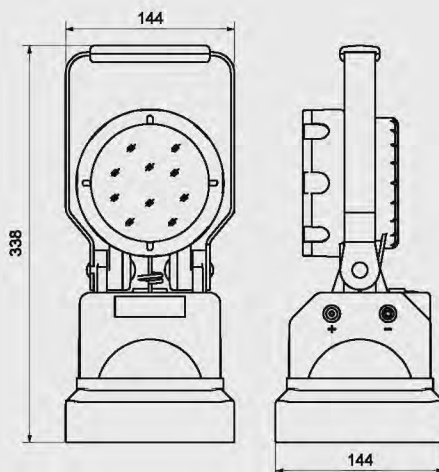
BAD502A Strong Working Light

- ◆ Explosion protection to
 - CENELEC
 - IEC
 - NEC
- ◆ Can be used in
 - Zone 1 and Zone 2
 - Zone 21 and Zone 22
 - Class I, Zone 1 and Zone 2
 - Class I, Division 1, Groups A, B, C, D
 - Class I, Division 2, Groups A, B, C, D
- ◆ Safe and reliable
- ◆ Efficient and energy-saving: memory-free battery
- ◆ Intelligent control
- ◆ Water-proof and damage-proof
- ◆ Convenient and durable

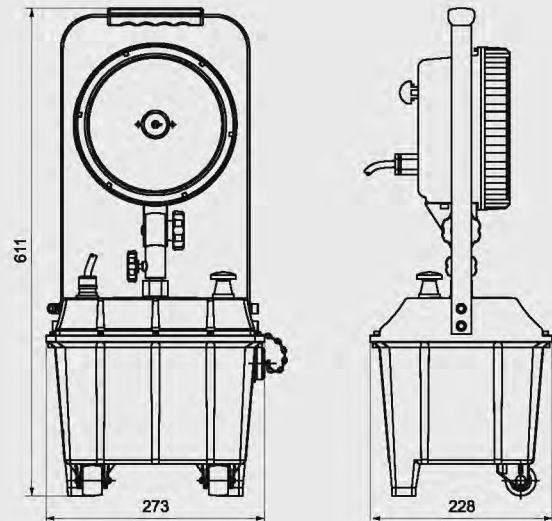
Dimension drawings (all dimensions in mm) - subject to alteration



BAD305



BAD309E



BAD502A

Zones 1&2; 21&22

BAD305 Portable Searchlight

- ◆ Explosion protection to
 - CENELEC
 - IEC
 - NEC
- ◆ Can be used in
 - Zone 1 and Zone 2
 - Zone 21 and Zone 22
 - Class I, Zone 1 and Zone 2
 - Class I, Division 1, Groups A, B, C, D
- ◆ Safe and reliable: the product with reliable explosion-proof performance, can safely and reliably work in various combustible areas, the battery is equipped with PTC thermistor and temperature fuse; double-protected circuit, safety performance enhanced.
- ◆ Efficient and energy-saving: memory-free battery, with long service life, low auto-discharge rate, economic and environmental friendly, solid efficient LED lamp, low energy consumption and long service life.
- ◆ Water-proof and damage-proof: the enclosure is made of imported alloy with high strength, excellent strong impact resistant performance, unique sealing type, with very good water-proof performance.
- ◆ Anti-strong interference: scientific module driving circuit, strong performance of anti-shock and anti-electromagnetic interference.
- ◆ Heat resistant: LED radiator and battery are effectively isolated, which improves the stability of the light.
- ◆ Intelligent control: pulse dimming technology, strong light and working light can be changed at random, with battery detection indicator, which can detect the working condition at any time, intelligent charger is with protection circuit.
- ◆ Portable and flexible: small volume, light weigh, several types of handling like portable and on shoulder, meet different working requirement.



Technical data

Portable Searchlight BAD305

| | |
|--------------------------------|--|
| Explosion protection | |
| Gas explosion protection | ⊕ II 2 G Ex d ia IIC T6 Gb |
| Dust explosion protection | ⊕ II 2 D Ex tb IIIC T80°C Db IP68 |
| Certificates | LCIE 13 ATEX____; IECEx |
| Conformity to standards | EN 60079-0: 2009, EN 60079-1: 2007, EN 60079-11: 2007, EN 60079-31: 2009 IEC 60079-0: 2011, IEC 60079-1: 2007, IEC 60079-11: 2006, IEC 60079-31: 2008 |
| Rated voltage | 14.8V |
| Rated capacity | 2Ah |
| Lamp(LED) | |
| Rated power | 9W / 3W |
| Current of strong light | 900mA |
| Continuous working time | |
| Strong light | ≥8h |
| Working light | ≥16h |
| Charge time | ≥8h |
| Service life of battery | about 1000 times cycling |
| Degree of protection | IP68 |
| Weight | 790g |

Zones 1&2; 21&22

Hand Lamps

BAD309E Searchlight



BAD309E Searchlight

- Explosion protection to
 - CENELEC
 - IEC
 - NEC
- Can be used in
 - Zone 2
 - Zone 21 and Zone 22
 - Class I, Zone 2
 - Class I, Division 2, Groups A, B, C, D
- Safe and reliable: the product with good explosion-proof performance and antistatic effect, can safely and reliably work in various combustible areas.
- Efficient and energy-saving: LED solid lamp, low energy consumption, high luminous efficacy, long service life, maintenance free and no subsequent usage cost, memory-free battery is recyclable, pollution-free.
- Water-proof and damage-proof: the light adopts whole-sealing craft, applicable in damp and severe atmosphere, special alloy enclosure makes sure the light can resist strong shock and impact.
- Intelligent control: the light is with two kinds of working modes: strong light and working light, switch is controlled by intelligent chip, the strong light and weak light can be changed at random, single-chip control; with battery display and special protection circuit, with protection function of anti-over charging, over discharging and short circuit, reliably protect the battery and prolong the service life.
- Convenient and durable: unique lamp cap; lighting angle can be adjusted within the scope of -45-55, no lighting dead angle (lighting range of strong light: 800m, effective distance: 300m, suitable for long-distance searching and lighting in large area of close range), light weight, portable type, horizontal type, hang type, magnetic absorption, etc, convenient to use; the switch is with anti-incorrect operation function.

Technical data

Searchlight BAD309E

Explosion protection

Gas explosion protection

Ex II 3 G Ex nR IIC T6 Gc

Dust explosion protection

Ex II 2 D Ex tb IIIC T80°C Db IP66

Certificates

LCIE 12 ATEX_____

Conformity to standards

EN 60079-0: 2009, EN 60079-15: 2010, EN 60079-31: 2009
IEC 60079-0: 2007, IEC 60079-15: 2010, IEC60079-31: 2008

Rated voltage

12V

Rated capacity

4Ah

Lamp(LED)

Rated power

9W / 3W

Average service life

100000h

Continuous working time

Strong light

≥ 8h

Working light

≥ 18h

Charging time

≥ 8h

Service life of battery

about 1000 times cycling

Degree of protection

IP66

Weight

1.9kg

Zones 2; 21&22

BAD502A Strong Working Light

- Explosion protection to
 - CENELEC
 - IEC
 - NEC
- Can be used in
 - Zone 1 and Zone 2
 - Class I, Zone 1 and Zone 2
 - Class I, Division 2, Groups A, B, C, D
- Safe and reliable: the product with good explosion-proof performance, can safely and reliably work in various combustible areas.
- Efficient and energy-saving: special gas discharging lamp; high luminous efficiency, luminous flux is 5 times of that of halogen lamp with the same power, illumination is 3 times of 100W halogen bulb, service life is 5-10 times of that of normal halogen lamp, with the same brightness, the power consumption is 15% of that of normal halogen lamp, good anti-shock effect, small heating value, safer and more reliable.
- Water-proof and damage-proof: the light adopts whole-sealing craft, can work normally when in water, special alloy enclosure makes sure the light can resist strong shock and impact.
- Economic and environmental friendly: the memory-free battery can be charged at any time, after charging fully and laid aside for a year, the reserve of electricity is not less than 80% when it is full, for two years, it is not less than 50%, low-voltage discharging protection circuit is set; reliably protect the battery and prolong the service life.
- Convenient and durable: unique lamp cap, lighting angle can be adjusted at random, there are wheels at the bottom, easy to move and work.
- Other performances: normally, floodlight is provided; spotlight is on request.



Technical data

Strong working light BAD502A

| | | |
|--------------------------------|--------------------------|--|
| Explosion protection | Gas explosion protection | Ex II 2 G Ex de IIC T4 Gb |
| Certificates | | LCIE 12 ATEX 3081X; IECEx CQM 12.0040X |
| Conformity to standards | | EN 60079-0: 2009, EN 60079-1: 2007, EN 60079-7: 2007, EN 60079-31: 2009 IEC 60079-0: 2007, IEC 60079-1: 2007, IEC 60079-7: 2006, IEC 60079-31: 2008 |
| Rated voltage | | 24V |
| Rated capacity | | 20Ah |
| Lamp | | Xenon lamp |
| Working voltage | | 24V |
| Rated power | | 35W |
| Luminous flux | | 3200lm |
| Average service life | | 3000h |
| Continuous working time | | ≥ 10h |
| Charging time | | ≥ 12h |
| Service life of battery | | about 1000 times cycling |
| Degree of protection | | IP65 |
| Weight | | 15kg |

Zones 1&2



Local, Caution Spotlight Fittings BAJ52-20 Series Explosion-proof Emergency Light Fittings

- ◆ Explosion protection to
 - CENELEC
 - IEC
 - NEC
- ◆ Can be used in
 - Zone 1 and Zone 2
 - Class I, Zone 1 and Zone 2
 - Class I, Division 1, Groups C, D
- ◆ Enclosure in copper-free aluminium, powder coated surface, yellow (RAL1021).
- ◆ Lighting angle can be adjusted.
- ◆ Low-power halogen tungsten lamps, with reflector to increase lighting intensity.
- ◆ Emergency device with NI-MH batteries, charging automatically; when power supply is cut off, the emergency device starts to work; with over charge and over discharge protection.
- ◆ Toughened glass cover resistant to temperature changes.

Zones 1&2

Technical data

Explosion-proof emergency light fittings BAJ52-20

Explosion protection

Gas explosion protection

II 2 G Ex d IIB T4

Certificates

For gas explosion protection

LCIE 07 ATEX 6086; IECEx CQM 08. 0001; BVC 10.0019 (Brazil)

Conformity to standards

EN 60079-0: 2004, EN 60079-1: 2004

IEC 60079-0: 2004, IEC 60079-1: 2003

Material

Enclosure

Copper-free aluminium, powder coated surface, yellow (RAL1021)

Exposed fastener

Stainless steel

Rated voltage

220~240V AC 50/60Hz

Lamp

Available lamp

Halogen tungsten lamp (LED on request)

Lamp power (W)

2 x 10W (LED lamp power: 2 x 1W)

Emergency time

90min

Rated luminous flux

Halogen tungsten lamp: 2 x 100lm (LED lamp: 2 x 90lm)

Battery

Description

NI-MH battery

Rated capacity

6Ah

Rated voltage

6V

Charge current

300mA

Discharge current

1000mA

Charge time

24h

Degree of protection

IP65

Ambient temperature

-20°C~+55°C

Terminal

3 x 1.5~2.5mm² (L+N+PE)

Cable entries

2 x G3/4" Plug

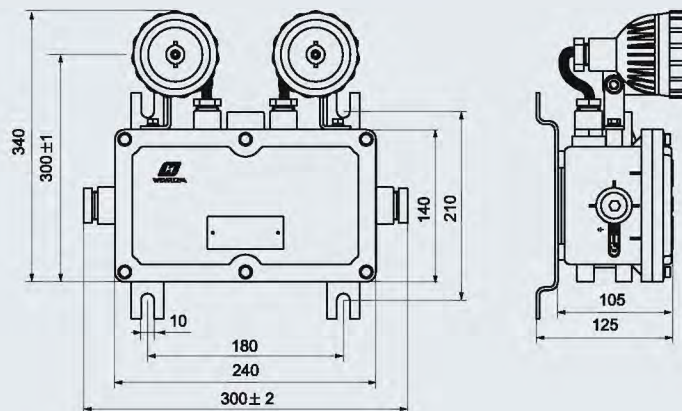
Cable gland (optional)

DQM-II (Ex d) or DQM-III (Ex d) is recommended. Please see P7/20~25.

Weight

5.05kg

Dimension drawings (all dimensions in mm) - subject to alteration

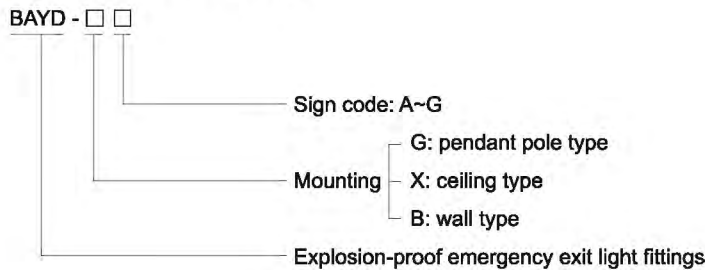




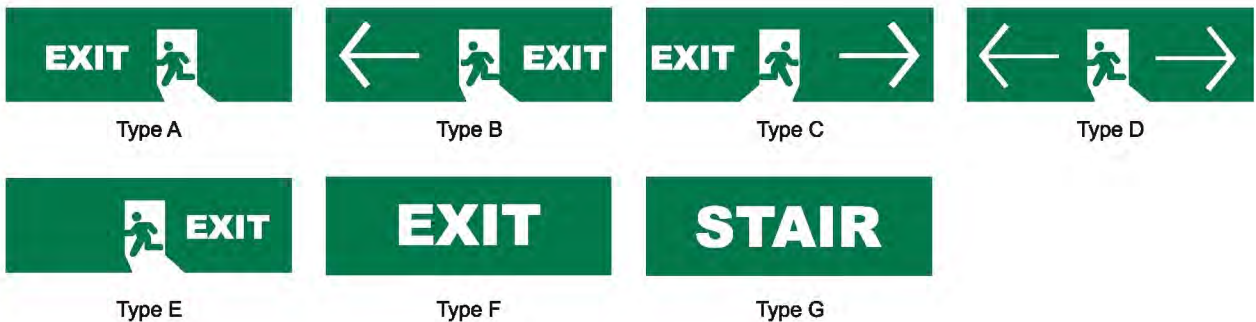
Local, Caution Spotlight Fittings BAYD Series Explosion-proof Emergency Exit Light Fittings

- ◆ Explosion protection to
 - CENELEC
 - IEC
 - NEC
- ◆ Can be used in
 - Zone 1 and Zone 2
 - Zone 21 and Zone 22
- ◆ Lighting both in normal condition and emergency condition; When power supply is cut off, the emergency device starts to work; with over charge, over discharge protection and short circuit protection.
- ◆ With test pushbutton, convenient to check the emergency function. Press the test pushbutton, the light will switch into emergency condition.
- ◆ Ultra-bright LED lamp, low power consumption and long service life up to 50,000 hours; energy saving and environmental protection.
- ◆ Enclosure in copper-free aluminium, powder coated surface, yellow (RAL 1021).
- ◆ Toughened glass sheet resistant to temperature changes.

■ Catalogue number logic



■ Sign code type A-G




Zones 1&2; 21&22

Technical data

Explosion-proof emergency exit light fittings BAYD-□□

Explosion protection

Gas explosion protection  II 2 G Ex d IIC T6
 Dust explosion protection Ex tD A21 T80°C IP66

Certificates

For gas explosion protection LCIE 07 ATEX 6005X; IECEx LCI 08. 0012X; GOST.R (Russia)
 For dust explosion protection PCEC (China)

Conformity to standards

EN 60079-0: 2004, EN 60079-1: 2004
 IEC 60079-0: 2004, IEC 60079-1: 2003, IEC 61241-0: 2004, IEC 61241-1: 2004

Material

Enclosure Copper-free aluminium, powder coated surface, yellow(RAL1021)
 Exposed fastener Stainless steel

Rated voltage

220~240V AC 50/60Hz

Lamp

LED lamp (working voltage DC 3.6V)

Power consumption

2W

Emergency time

180min

Battery

Rated capacity 1400mAh
 Charge time 24h

Earthing protection

M5 (internal & external earth bolts)

Degree of protection

IP66

Ambient temperature

-20°C~+55°C

Terminal

3 x 1.5~2.5mm² (L+N+PE)

Cable entries

1 x G3/4" for wall type or ceiling type; 2 x M25 x 1.5 for pendant pole type

Cable gland

1. For wall type and ceiling type, supplied with seal gasket and gland nut; Cable gland on request.
 2. For pendant pole type, supplied with BHD51-F explosion-proof junction box, (copper-free aluminium); M25 x 1.5 plug or Ex d cable gland is optional, DQM-II (Ex d) or DQM-III (Ex d) is recommended. Please see P7/20~25.

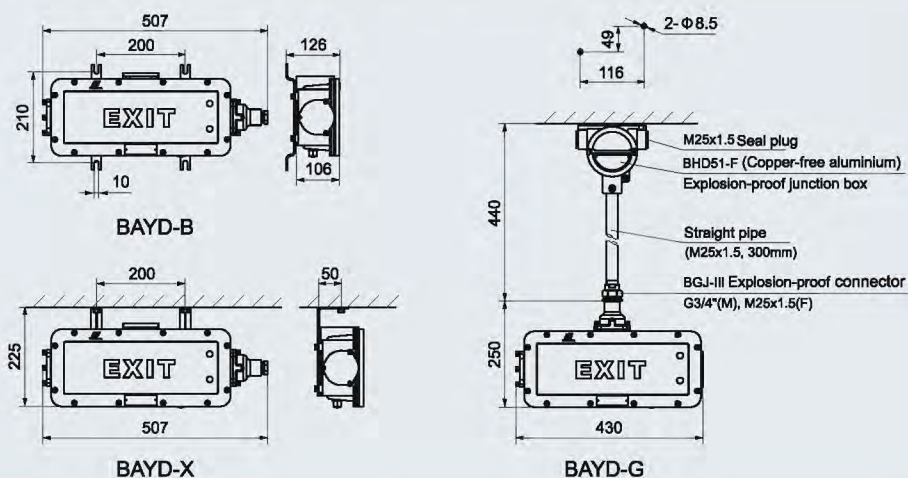
Available cable outer diameter

Φ 10~Φ 14 (mm)

Weight

6.40kg

Dimension drawings (all dimensions in mm) - subject to alteration



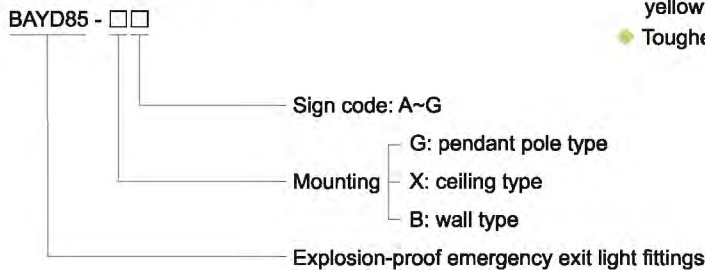


Local, Caution Spotlight Fittings

BAYD85 Series Explosion-proof Emergency Exit Light Fittings

- Explosion protection to
 - CENELEC
 - IEC
 - NEC
- Can be used in
 - Zone 1 and Zone 2
 - Zone 21 and Zone 22
 - Class I, Zone 1 and Zone 2
 - Class I, Division 1, Groups A, B, C, D
- Lighting both in normal condition and emergency condition; When power supply is cut off, the emergency device starts to work; with over charge, over discharge protection and short circuit protection.
- Designed with test button and sleep button. the test button is for testing. press the button, lamp shall automatically enter into emergency status. the sleep button is to stop the lamp source output, press this button, the lamp turned off, re-press the button, lamp lighted and return to work.
- Ultra-bright LED lamp, low power consumption and long service life up to 50,000 hours; energy saving and environmental protection.
- Enclosure in copper-free aluminium, powder coated surface, yellow (RAL 1021).
- Toughened glass sheet resistant to temperature changes.

Catalogue number logic



Sign code type A-G



Type A



Type B



Type C



Type D



Type E



Type F



Type G

Zones 1&2; 21&22

Technical data

Explosion-proof emergency exit light fittings

BAYD85-□□

Explosion protection

Gas explosion protection

II 2 G Ex d IIC T6 Gb

Dust explosion protection

II 2 D Ex tb IIIC T80°C Db IP66

Certificates

LCIE 13 ATEX___; IECEx

Conformity to standards

EN 60079-0: 2009, EN 60079-1: 2007, EN 60079-31: 2009

IEC 60079-0: 2011, IEC 60079-1: 2007, IEC 60079-31: 2008

Material

Enclosure

Copper-free aluminium, powder coated surface, yellow(RAL1021)

Exposed fastener

Stainless steel

Rated voltage

100~300V AC 50/60Hz

Lamp

LED lamp (working voltage DC 3.6V)

Power consumption

4W

Emergency time

180min

Battery

Rated capacity

2000mAh

Charge time

24h

Earthing protection

M5 (internal & external earth bolts)

Degree of protection

IP66

Ambient temperature

-40°C~+55°C

Terminal

3 x 1.5~2.5mm² (L+N+PE)

Cable entries

2 x M25 x 1.5 plug

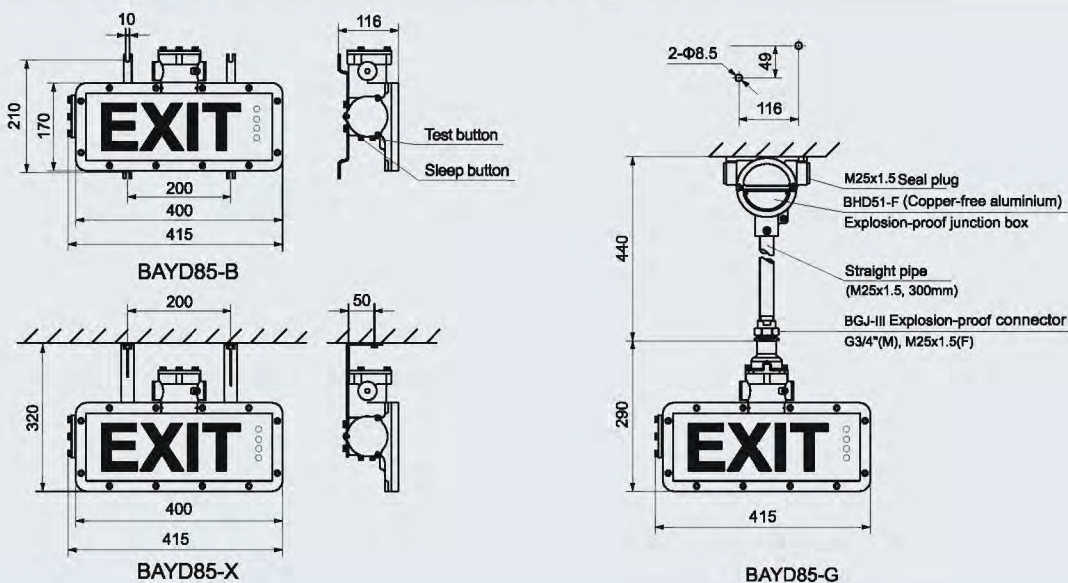
Cable gland

DQM-II (Ex d) or DQM-III (Ex d) is recommended. Please see P7/20~25.

Weight

5.15kg

Dimension drawings (all dimensions in mm) - subject to alteration

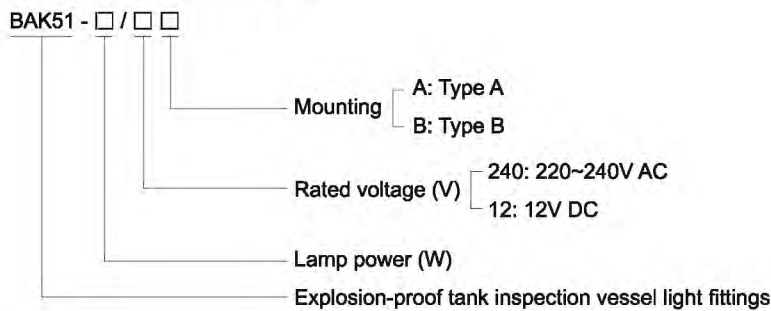




Local, Caution Spotlight Fittings BAK51 Series Explosion-proof Tank Inspection Vessel Light Fittings

- Explosion protection to
 - CENELEC
 - IEC
 - NEC
- Can be used in
Zone 1 and Zone 2
- Available for 35W or 50W halogen tungsten lamp, with high light efficiency and long service life.
- A or B mounting type is optional.
- Enclosure in copper-free aluminium, powder coated surface, yellow (RAL1021).

Catalogue number logic



Selection table

| Type/Ordering code | Available lamp power (W) | Weight(kg) | Type/Ordering code | Available lamp power (W) | Weight(kg) |
|--------------------|---------------------------|------------|--------------------|---------------------------|------------|
| BAK51-35/240A | 35W Halogen tungsten lamp | 2.15 | BAK51-50/240A | 50W Halogen tungsten lamp | 2.15 |
| BAK51-35/240B | | 2.15 | BAK51-50/240B | | 2.15 |
| BAK51-35/12A | | 2.00 | BAK51-50/12A | | 2.00 |
| BAK51-35/12B | | 2.00 | BAK51-50/12B | | 2.00 |

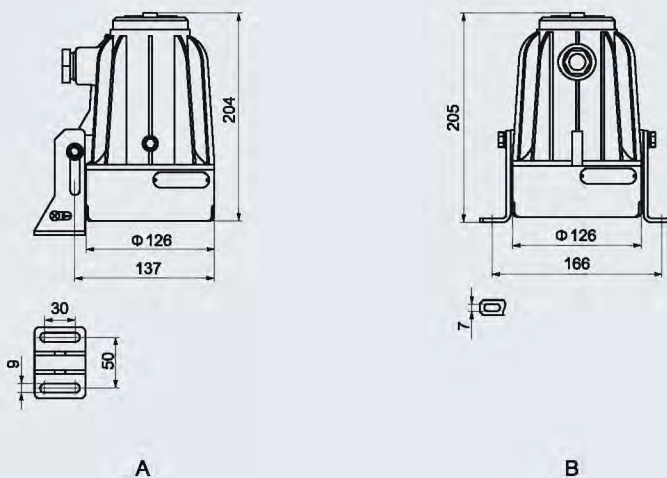
Zones 1&2

Technical data

Explosion-proof tank inspection vessel light fittings BAK51-□/□□

| | | |
|---------------------------------------|------------------------------|--|
| Explosion protection | Gas explosion protection | Ex II 2 G Ex d IIB T3 |
| Certificates | For gas explosion protection | LCIE 06 ATEX 6020; IECEx LCI 08. 0007 |
| Conformity to standards | | EN 60079-0: 2004, EN 60079-1: 2004 IEC 60079-0: 2004, IEC 60079-1: 2003 |
| Material | Enclosure | Copper-free aluminium, powder coated surface, yellow (RAL1021) |
| | Glass cover | Toughened glass, impact resistance and high light transmission |
| | Exposed fastener | Stainless steel |
| Lamp | Available lamp | Halogen tungsten lamp |
| | Lamp holder | GY6.35 |
| | Lamp power (W) | 35W, 50W |
| | Adaptable voltage | 220~240V AC 50Hz DC 12V |
| Earthing protection | | M5 (internal & external earth bolts) |
| Degree of protection | | IP65 |
| Ambient temperature | | -20°C~+55°C |
| Terminal | | 3 x 1.5~2.5mm ² (L+N+PE) |
| Cable entries | | 1 x G3/4" |
| Cable gland | | Supplied with seal gasket and gland nut |
| Available cable outer diameter | | Φ 10~Φ 14 (mm) |

Dimension drawings (all dimensions in mm) - subject to alteration

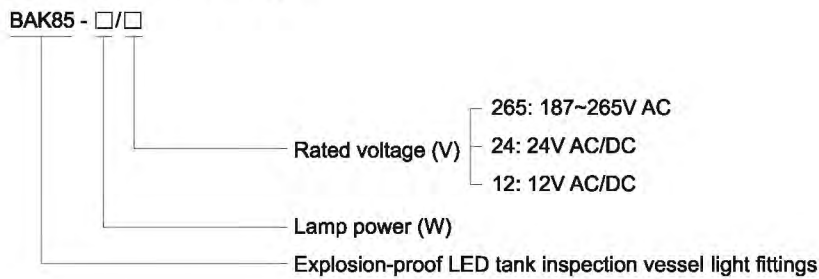




Local, Caution Spotlight Fittings BAK85 Series Explosion-proof LED Tank Inspection Vessel Light Fittings

- ◆ Explosion protection to
 - CENELEC
 - IEC
 - NEC
- ◆ Can be used in
 - Zone 1 and Zone 2
 - Zone 21 and Zone 22
- ◆ Applicable lamp and power:
 - LED lamps, energy-saving and long service life, 9W
- ◆ Enclosure in copper-free aluminium, powder coated surface, yellow (RAL1021).

■ Catalogue number logic



■ Selection table

| Type/Ordering code | Lamp power (W) | Rated voltage (V) | Weight (kg) |
|--------------------|----------------|---------------------|-------------|
| BAK85-9/265 | 9 | 187~265V AC 50/60Hz | 2.20 |
| BAK85-9/24 | | 24V AC/DC | |
| BAK85-9/12 | | 12V AC/DC | |

Note: The product is supplied according to "Type/Ordering code" in the table with mounting accessories.

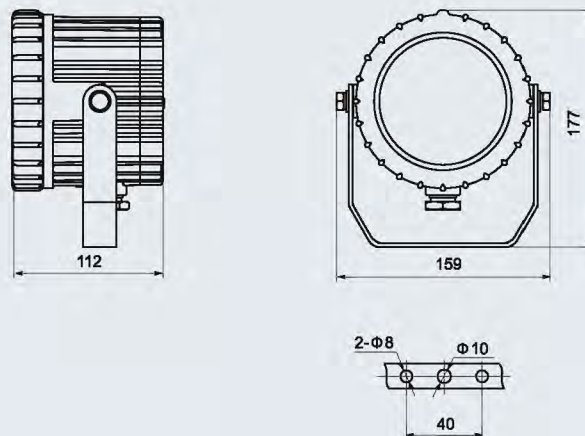
Zones 1&2; 21&22

Technical data

Explosion-proof LED tank inspection vessel light fittings BAK85-□/□

| | |
|--|---|
| Explosion protection | <p>Gas explosion protection ⓧ II 2 G Ex d IIC T6 Gb</p> <p>Dust explosion protection ⓧ II 2 D Ex tb IIIC T80°C Db IP66</p> |
| Certificates | DNV 13 ATEX____; FM (USA); GOST.R (Russia); IECEx |
| Conformity to standards | EN 60079-0: 2009, EN 60079-1: 2007, EN 60079-31: 2009 IEC 60079-0: 2011, IEC 60079-1: 2007, IEC 60079-31: 2008 |
| Material | |
| Enclosure | Copper-free aluminium, powder coated surface, yellow (RAL1021) |
| Glass cover | Toughened glass, stands 4J impact |
| Power controller | Wide voltage input, CC-CV (constant current - constant voltage) output, power factor ≥0.98, with protection against circuit and anti-electromagnetic interference, etc. |
| Exposed fastener | Stainless steel |
| Lamp | |
| Lamp specification | CREE plural white LED modules |
| Lamp power (W) | 9W |
| Rated voltage | 187~265V AC 50/60Hz 24V AC/DC 12V AC/DC |
| Earthing protection | M5 (internal & external earth bolts) |
| Degree of protection | IP66 |
| Ambient temperature | -40°C~+55°C |
| Terminal | 3 x 1.5~4mm ² (L+N+PE) |
| Cable entries | M20 x 1.5 |
| Cable gland | Supplied with seal gasket and gland nut |
| Applicable cable outer diameter | Φ6~Φ12 (mm) |

Dimension drawings (all dimensions in mm) - subject to alteration



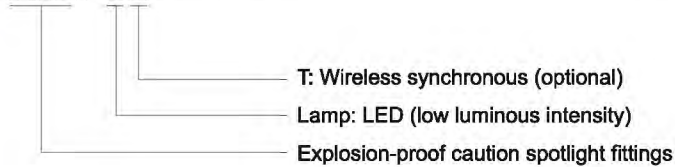


Local, Caution Spotlight Fittings BSZD81- E Series Explosion-proof Caution Spotlight Fittings

- Explosion protection to
 - GENELEC
 - IEC
 - NEC
- Can be used in
 - Zone 1 and Zone 2
 - Class I, Zone 1 and Zone 2
 - Class I, Division 2, Groups A, B, C, D
- Ultra-bright LED lamp, low power consumption and long service life up to 50,000 hours; energy saving and environmental protection.
- Integrated chip control with various circuit protection, synchronous function of light fittings through signal lines.
- Enclosure in copper-free aluminium, powder coated surface, yellow (RAL1021).

Catalogue number logic

BSZD81 - E □



Zones 1&2

Local, Caution Spotlight Fittings

BSZD81 Series Explosion-proof Caution Spotlight Fittings

Technical data

Explosion-proof caution spotlight fittings BSZD81-E □

Explosion protection

Gas explosion protection

Dust explosion protection

Certificates

Conformity to standards

Material

Enclosure

Transparent cover

Exposed fastener

Rated voltage

Lamp

Lamp specification

Lamp power (W)

Lamp colour

Max. luminous intensity value

Flash frequency

Earthing protection

Degree of protection

Ambient temperature

Terminal

Cable entries

Cable gland (optional)

Weight

Ex II 2 G Ex de IIC T6 Gb

Ex II 2 D Ex tb IIIC T80°C Db IP65

Nemko 08 ATEX 1096; IECEx CQM 11.0026

EN 60079-0: 2009, EN 60079-1: 2007, EN 60079-7: 2007, EN 60079-31: 2009

IEC 60079-0: 2011, IEC 60079-1: 2007, IEC 60079-7: 2006, IEC 60079-31: 2008

Copper-free aluminium, powder coated surface, yellow (RAL1021)

Toughened glass, stands 4J impact.

Stainless steel

220~240V AC 50/60Hz

LED

≤10W (continuous work)

Red

> 200cd

16, 20, 30, 40, 60, 80, 120, 240 (times/min)

M5 (internal & external earth bolts)

IP65

-20°C~+55°C

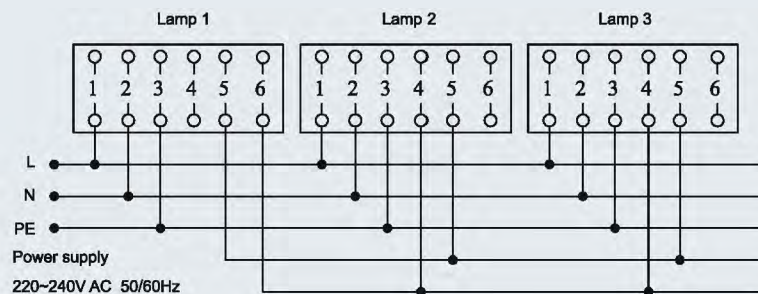
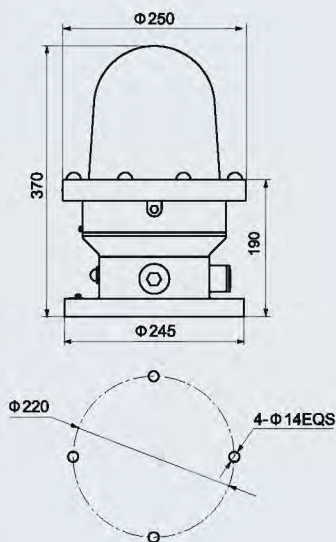
3 x 1.5~2.5mm² (L+N+PE)

4 x M25 x 1.5 Plug

DQM-I (Ex e) is recommended. Please see P7/17~19.

10kg

Dimension drawings (all dimensions in mm) - subject to alteration

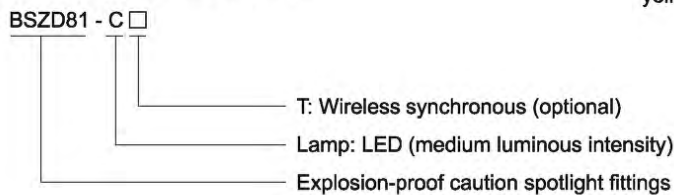




Local, Caution Spotlight Fittings BSZD81-C Series Explosion-proof Caution Spotlight Fittings

- ◆ Explosion protection to
 - CENELEC
 - IEC
 - NEC
- ◆ Can be used in
 - Zone 1 and Zone 2
 - Zone 21 and Zone 22
 - Class I, Zone 1 and Zone 2
 - Class I, Division 2, Groups A, B, C, D
- ◆ Ultra-bright LED lamp, low power consumption and long service life up to 30,000 hours; energy saving and environmental protection.
- ◆ Integrated chip control with various circuit protection, synchronous function of light fittings through signal lines.
- ◆ Enclosure in copper-free aluminium, powder coated surface, yellow (RAL1021).

■ Catalogue number logic



Zones 1&2; 21&22

Local, Caution Spotlight Fittings

BSZD81 Series Explosion-proof Caution Spotlight Fittings

Technical data

Explosion-proof caution spotlight fittings **BSZD81-C** □

Explosion protection

Gas explosion protection

Dust explosion protection

Certificates

Conformity to standards

Material

Enclosure

Transparent cover

Exposed fastener

Rated voltage

Lamp

Lamp specification

Lamp power (W)

Lamp colour

Max. luminous intensity value

Flash frequency

Earthing protection

Degree of protection

Ambient temperature

Terminal

Cable entries

Cable gland (optional)

Weight

⊕ II 2 G Ex de IIC T6 Gb

⊕ II 2 D Ex tb IIIC T80°C Db IP65

PCEC (China); Nemko 13 ATEX___; IECEX

EN 60079-0: 2009, EN 60079-1: 2007, EN 60079-7: 2007, EN 60079-31: 2009

IEC 60079-0: 2011, IEC 60079-1: 2007, IEC 60079-7: 2006, IEC 60079-31: 2008

Copper-free aluminium, powder coated surface, yellow (RAL1021)

Toughened glass, stands 4J impact

Stainless steel

220~240V AC 50/60Hz

LED

40W (continuous work)

Red

> 2000cd

16, 20, 30, 40, 60, 80, 120, 240 (times/min)

M5 (internal & external earth bolts)

IP65

-20°C~+55°C

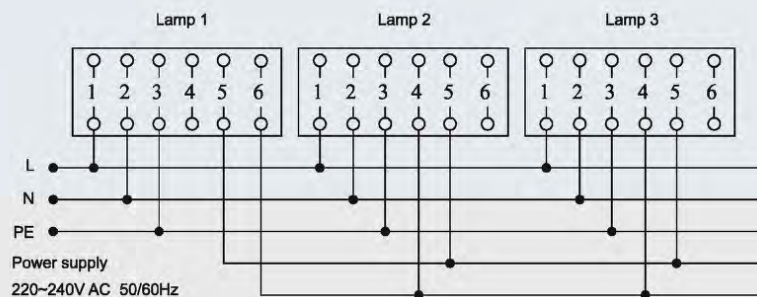
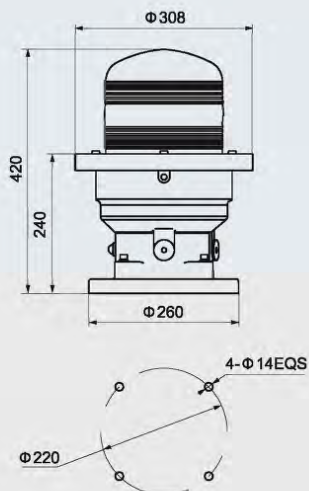
3 x 1.5~2.5mm² (L+N+PE)

4 x M25 x 1.5 Plug

DQM-I (Ex e) is recommended. Please see P7/17~19.

13.8kg

Dimension drawings (all dimensions in mm) - subject to alteration

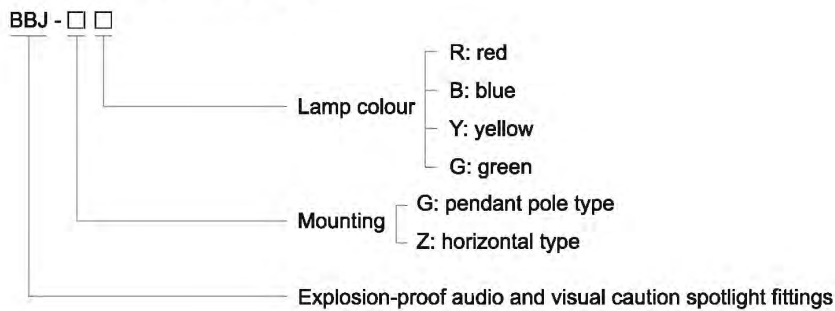




Local, Caution Spotlight Fittings BBJ Series Explosion-proof Audio and Visual Caution Spotlight Fittings

- ◆ Explosion protection to
 - CENELEC
 - IEC
 - NEC
- ◆ Can be used in
Zone 1 and Zone 2
- ◆ Ultra-bright LED lamp, low power consumption and long service life.
- ◆ Enclosure in copper-free aluminium, powder coated surface, yellow (RAL1021).

■ Catalogue number logic



■ Selection table

| Type/Ordering code | Weight (kg) |
|--------------------|-------------|
| BBJ-ZR | 3.00 |
| BBJ-ZB | 3.00 |
| BBJ-ZY | 3.00 |
| BBJ-ZG | 3.00 |
| BBJ-GR | 4.60 |
| BBJ-GB | 4.60 |
| BBJ-GY | 4.60 |
| BBJ-GG | 4.60 |

Note: The product is supplied according to "Type/Ordering code" in the table with mounting accessories.

Zones 1&2

Technical data

Explosion-proof audio and visual caution spotlight fittings BBJ-□□

Explosion protection

Gas explosion protection

⊕ II 2 G Ex d [ib] ib IIC T6 Ex d [ib] ib IIC T6 Gb

Certificates

For gas explosion protection

Nemko 08 ATEX 1095; IECEx CQM 11.0023; BVC 10.0031 (Brazil)

Conformity to standards

EN 60079-0: 2006, EN 60079-1: 2004, EN 60079-11: 2007

IEC 60079-0: 2007, IEC 60079-1: 2007, IEC 60079-11: 2006

Material

Enclosure

Copper-free aluminium, powder coated surface, yellow (RAL1021)

Transparent cover

Toughened glass, impact resistance, high light transmission.

Exposed fastener

Stainless steel

Rated voltage

220~240V AC 50/60Hz

Lamp

Lamp specification

LED

Lamp power (W)

2W

Lamp colour

Red, blue, yellow, green

Flash frequency

150 (times/min)

Sound intensity

100~120 dB (R=1m)

Earthing protection

M5 (internal & external earth bolts)

Degree of protection

IP65

Ambient temperature

-20°C~+55°C

Terminal

3 x 1.5~2.5mm² (L+N+PE)

Cable entries

1 x G3/4" for horizontal type; 2 x M25 x 1.5 for pendant pole type

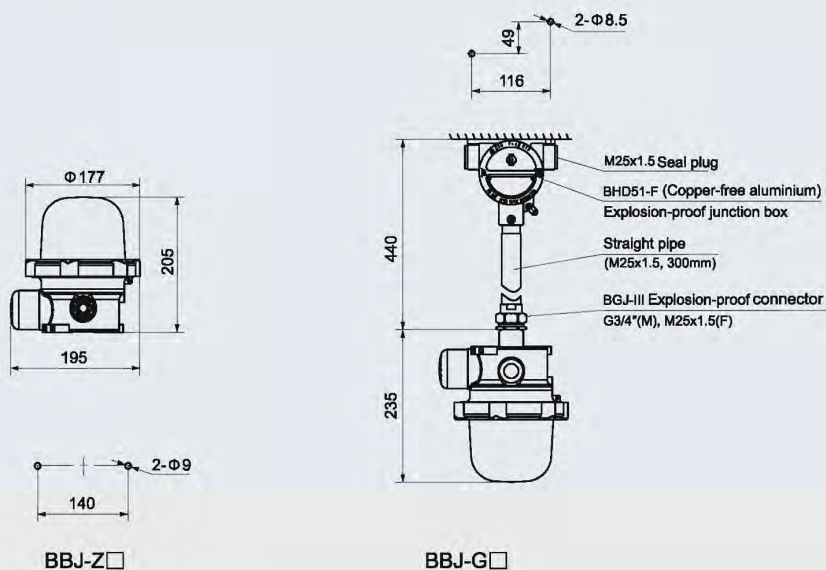
Cable gland

1. For horizontal type: supplied with seal gasket and gland nut.
2. For pendant pole type: supplied with BHD51-F explosion-proof junction box (copper-free aluminium); M25 x 1.5 plug or Ex d cable gland is optional, DQM-II (Ex d) or DQM-III (Ex d) is recommended. Please see P7/20~25.
Φ 10~Φ 14 (mm)

Available cable outer diameter

The light fittings are supplied with mounting accessories.

Dimension drawings (all dimensions in mm) - subject to alteration

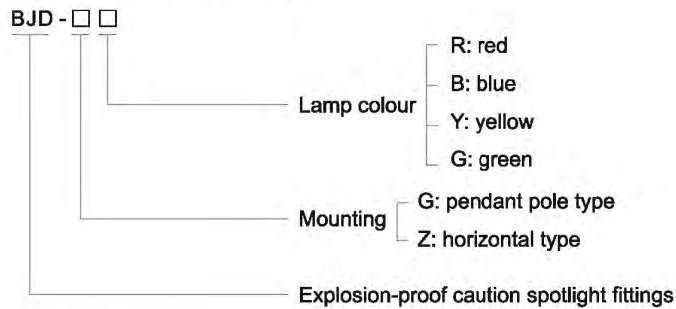




Local, Caution Spotlight Fittings BJD Series Explosion-proof Caution Spotlight Fittings

- Explosion protection to
 - CENELEC
 - IEC
 - NEC
- Can be used in
 - Zone 1 and Zone 2
- Ultra-bright LED lamp, low power consumption and long service life.
- Enclosure in copper-free aluminium, powder coated surface, yellow (RAL1021).

Catalogue number logic



Selection table

| Type/Ordering code | Weight(kg) |
|--------------------|------------|
| BJD-ZR | 2.50 |
| BJD-ZB | 2.50 |
| BJD-ZY | 2.50 |
| BJD-ZG | 2.50 |
| BJD-GR | 4.10 |
| BJD-GB | 4.10 |
| BJD-GY | 4.10 |
| BJD-GG | 4.10 |

Note: The product is supplied according to "Type/Ordering code" in the table with mounting accessories.

Zones 1&2

Local, Caution Spotlight Fittings

BJD Series Explosion-proof Caution Spotlight Fittings

Technical data

Explosion-proof caution spotlight fittings BJD-□□

Explosion protection

Gas explosion protection

Ex II 2 G Ex d IIC T6

Ex d IIC T6 Gb

Certificates

For gas explosion protection

Nemko 08 ATEX 1091; IECEx CQM 11.0025

Conformity to standards

EN 60079-0: 2006, EN 60079-1: 2004

IEC 60079-0: 2007, IEC 60079-1: 2007

Material

Enclosure

Copper-free aluminium, powder coated surface, yellow (RAL1021)

Transparent cover

Toughened glass, impact resistance, high light transmission.

Exposed fastener

Stainless steel

Rated voltage

220~240V AC 50/60Hz

Lamp

Lamp specification

LED

Lamp power (W)

3W

Lamp colour

Red, blue, yellow, green

Flash frequency

150 (times/min)

Earthing protection

M5 (internal & external earth bolts)

Degree of protection

IP65

Ambient temperature

-20°C~+55°C

Terminal

3 x 1.5~2.5mm² (L+N+PE)

Cable entries

1 x G3/4" for horizontal type; 2 x M25 x 1.5 for pendant pole type

Cable gland

1. For horizontal type: supplied with seal gasket and gland nut.
2. For pendant pole type: supplied with BHD51-F explosion-proof junction box (copper-free aluminium); M25 x 1.5 plug or Ex d cable gland is optional, DQM-II (Ex d) or DQM-III (Ex d) is recommended. Please see P7/20~25.

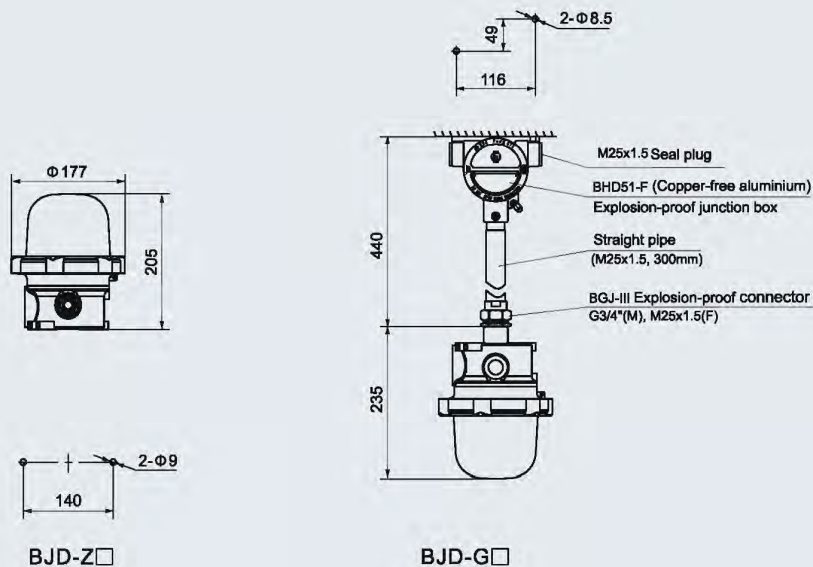
Available cable outer diameter

Φ 10~Φ 14 (mm)

Note

The light fittings are supplied with mounting accessories.

Dimension drawings (all dimensions in mm) - subject to alteration

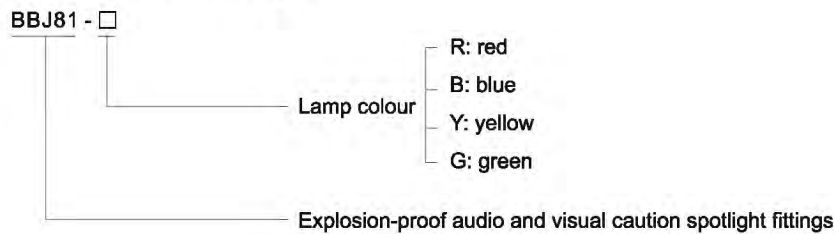




Local, Caution Spotlight Fittings BBJ81 Series Explosion-proof Audio and Visual Caution Spotlight Fittings

- ◆ Explosion protection to
 - CENELEC
 - IEC
 - NEC
- ◆ Can be used in
 - Zone 1 and Zone 2
 - Zone 21 and Zone 22
 - Class I, Zone 1 and Zone 2
 - Class I, Division 1, Groups A, B, C, D
- ◆ Ultra-bright LED lamp, low power consumption and long service life.
- ◆ Lamp colours: red, blue, yellow, green.
- ◆ Enclosure in copper-free aluminium, powder coated surface, yellow (RAL1021).

■ Catalogue number logic



■ Selection table

| Type/Ordering code | Weight(kg) |
|--------------------|------------|
| BBJ81-R | 2.60 |
| BBJ81-B | 2.60 |
| BBJ81-Y | 2.60 |
| BBJ81-G | 2.60 |

Note: The product is supplied according to "Type/Ordering code" in the table with mounting accessories.

Zones 1&2; 21&22

Technical data

Explosion-proof audio and visual caution spotlight fittings BBJ81-□

Explosion protection

Gas explosion protection
Dust explosion protection

⊕ II 2 G Ex d ib IIC T6 Gb
⊕ II 2 D Ex t IIIC T80°C Db IP66

Certificates

LCIE 11 ATEX 3111X; IECEx CQM 12.0035X; FM (USA); GOST.R (Russia)

Conformity to standards

EN 60079-0: 2009, EN 60079-1: 2007, EN 60079-11: 2007, EN 60079-31: 2009
IEC 60079-0: 2007, IEC 60079-1: 2007, IEC 60079-11: 2006, IEC 60079-31: 2008

Material

Enclosure
Transparent cover
Exposed fastener

Copper-free aluminium, powder coated surface, yellow (RAL1021)
Toughened glass, stands 4J impact
Stainless steel

Rated voltage

220~240V AC 50/60Hz; 24V DC/AC

Lamp

Lamp specification
Lamp power (W)

LED
5W

Lamp colour

Red, blue, yellow, green

Flash frequency

150 (times/min)

Sound intensity

100~120dB (R=1m)

Earthing protection

M5 (internal & external earth bolts)

Degree of protection

IP66

Ambient temperature

-40°C~+55°C

Terminal

3 x 1.5~2.5mm² (L+N+PE)

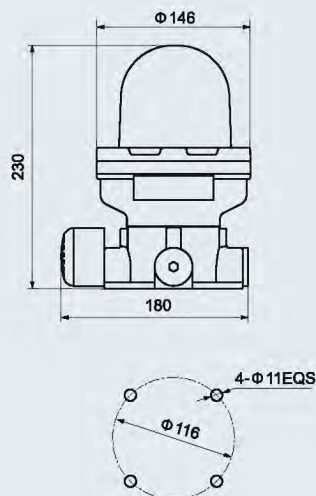
Cable entries

3 x M25 x 1.5 plug

Cable gland (optional)

DQM-II (Ex d) or DQM-III (Ex d) is recommended. Please see P7/20~25.

Dimension drawings (all dimensions in mm) - subject to alteration

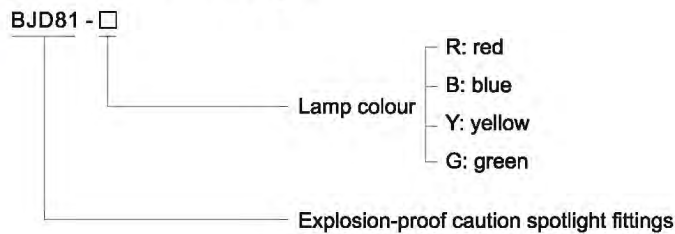




Local, Caution Spotlight Fittings BJD81 Series Explosion-proof Caution Spotlight Fittings

- ◆ Explosion protection to
 - CENELEC
 - IEC
 - NEC
- ◆ Can be used in
 - Zone 1 and Zone 2
 - Zone 21 and Zone 22
 - Class I, Zone 1 and Zone 2
 - Class I, Division 1, Groups A, B, C, D
- ◆ Ultra-bright LED lamp, low power consumption and long service life.
- ◆ Lamp colour: red, blue, yellow, green.
- ◆ Enclosure in copper-free aluminium, powder coated surface, yellow (RAL1021).

■ Catalogue number logic



■ Selection table

| Type/Ordering code | Weight(kg) |
|--------------------|------------|
| BJD81-R | 2.50 |
| BJD81-B | 2.50 |
| BJD81-Y | 2.50 |
| BJD81-G | 2.50 |

Note: The product is supplied according to "Type/Ordering code" in the table with mounting accessories.

Zones 1&2; 21&22